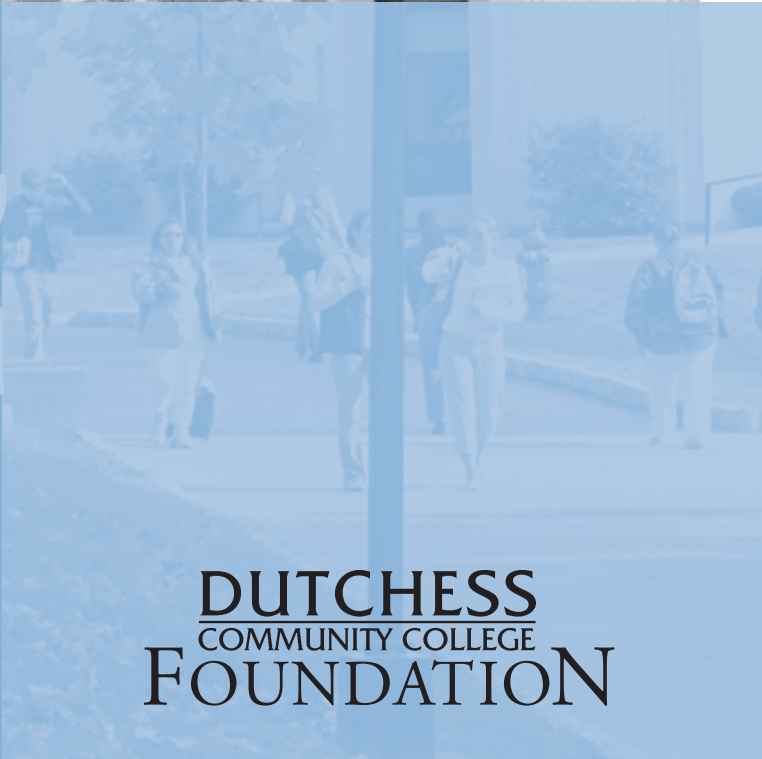


PERSPECTIVES

NEWSLETTER AND ANNUAL REPORT

WINTER 2005



DUTCHESS
COMMUNITY COLLEGE
FOUNDATION



**MESSAGE
FROM THE
PRESIDENT
D. DAVID CONKLIN**



D. David Conklin

It is my pleasure to present the 2004-2005 Dutchess Community College Foundation Annual Report. Many exciting things have happened here at the College over the past academic year, and I am happy to share them with you.

In 2002, the Dutchess Community College Foundation embarked on a Capital Campaign to raise \$3.4 million dollars to endow four areas: scholarships, technology, facility and campus enhancements, and faculty program incentives. I am happy to let you know that the Foundation has met and surpassed its Campaign goal by more than 25 percent. I would like to thank all of you in the community who support the College and helped us achieve this success. The Campaign was entitled

“Maintaining Excellence,” and our raising these funds will ensure that as the College moves into the future it will indeed be able to maintain the excellence of its educational offerings. In addition, the College received national recognition for the student referendum to donate to the Campaign, initiated by Foundation Executive Director, Patricia Prunty.

Academically, the College continues to grow. For the fall 2004 semester, four new academic programs were added to the curriculum and in the fall of 2005, we began another new degree program, Aviation – Pilot Training, and this spring, we added a General Studies Associate in Science degree. I have every confidence that these programs will be equally as successful.

A full-tuition scholarship, The President’s Scholarship for Academic Excellence, created for Dutchess County students who graduated in the top ten percent of their high school class has been renamed, thanks to a local business leader and his wife. Charles and Betty Conklin very generously made a major contribution to the DCC Foundation to help endow the scholarship, which has been renamed the Charles E. and Mabel E. Conklin Scholarship for Academic Excellence in their honor.

This past spring saw the dedication of the Bowne Hall lobby in honor of another local business leader and his wife, Charles and Betty O’Shea. Bowne Hall is the historical heart of the campus, the original home of the Samuel and Nettie Bowne Memorial Hospital. Bowne Hall re-opened this spring after a complete renovation. I invite those of you who have not visited campus recently to come and see the transformation of this venerable building into the administrative center of campus, and the home of the Office of Community Services and Special Programs.


Also last spring, the College had the honor of dedicating its Art Gallery, located in the Allyn J. Washington Arts and Sciences building in honor of Mildred I. Washington. Mildred and Allyn, who now live in Grass Valley, California, have a long relationship with DCC and their previous major gift helped make possible the Allyn J. Washington Center for Science and Art, which was dedicated in 2000.

The summer saw the dedication of our tennis courts in memory of Dr. Manzoor Ansari.

Dr. Ansari was a noted child psychiatrist and an outspoken advocate of services for the developmentally disabled. He passed away after a brief illness on July 29, 1976, at the age of 48. Although his life was short and his death untimely, his impact on Dutchess County and the Mid-Hudson region was significant.

I am proud to let you know that Dutchess Community College still charges the lowest tuition of any college or university in the state. Our graduates continue to succeed: a recent study has shown that 82% of DCC students who transfer to a four-year SUNY institution to pursue a Bachelor’s Degree are successful in achieving their academic goal. In addition, our research indicates that Dutchess Community College has indeed become the college of choice for the residents of Dutchess County.

Thank you for your support of Dutchess Community College through its Foundation. The College and our students have benefitted greatly from the support of the citizens who have put their trust in us.



**MESSAGE FROM
THE
DCCF EXECUTIVE
DIRECTOR
PATRICIA L. PRUNTY**



Patricia Prunty

Impact... What is the impact that your donations have on the campus? I thought many of you, our most generous alumni, friends, faculty and staff, would like to know how your donation has improved and enhanced Dutchess Community College.

The Foundation was proud to award \$352,056 in scholarships and \$35,000 in faculty/staff mini-grants during the year. Over 130 students benefited from our scholarships. Many students struggle everyday to come to classes after working long hours and caring for their families. Our students are unique in that many of them overcome huge obstacles to attain their coveted degrees. The Foundation awards achievement and recognizes those that go the extra mile. These students want to complete their education and do whatever it takes. We are pleased to help them succeed.

The faculty/staff mini-grant program has been a wonderful way for faculty and staff to get seed money for important programs and initiatives. Faculty members have used grants to: bring nationally recognized authors and speakers to campus, encourage students to pursue architecture through an annual high school architectural competition, find ways to improve academic advising, and to hold a weeklong day camp for boys and girls interested in pursuing the nursing profession. One theme permeates all of these grants. DCC faculty go the extra mile and look for interesting and challenging ways to make education fun, exciting and more accessible.

My message would not be complete without mentioning some of our generous friends, people who have gone above and beyond and made an impact on DCC. I would like to mention Amy Sherman and Jim Page, Richard Chazen, Charles and Betty Conklin, Art Gellert and his family, Jeff Smith, John and Nancy O'Shea, Llelanie Orcutt, Chris Meyer, Bern and Shirley Handel, Martha Sullivan, Allyn and Millie Washington, George T. Whalen, Jr., George A. Strba Charitable Trust, Hudson United Bank, IBM, McCann Foundation and The Louis Greenspan Trust.

I also want to mention two women who received Volunteer of the Year Award at the Foundation's Annual Holiday Dinner. Betsy Brockway '82 and Susan Moore '66 have spent countless hours volunteering for events that support the Foundation's Mission. They have raised money, staffed special events, and helped to fund scholarships. Volunteers are our life blood and we owe a debt of gratitude to these women and all of our volunteers.

Thanks to all of our wonderful supporters who continue to help students have a brighter future in Dutchess County.



**MESSAGE
FROM THE
DCCF BOARD CHAIR
BERNARD HANDEL**



Bernard Handel

As this Annual Report for 2004-05 reflects, it was an outstanding year in the history of the Foundation. New highs were accomplished in total assets, gifts and contributions received and scholarships and grants provided. Our Maintaining Excellence Campaign exceeded all of our original and upgraded goals. Our special events were very successful and provided meaningful happenings for the Dutchess community while resulting in substantial income.

During this year, we worked with the business community to innovate our new Business-College Partnership. This group is working to establish a close relationship with local industry and to integrate their needs into the College's training and educational programs. This partnership may be of tremendous importance to the College and the Foundation in future years in building a permanent base of training and scholarships aimed at assisting the continued economic growth of the area.

We were pleased to have our first College Hall of Fame Dinner. This was a great success and will become a permanent major local event as we honor distinguished alumni. The Foundation strengthened its ties with the Alumni Association, which will help maintain communication and contact with our thousands of graduates.

These programs and our continuing Annual Fund and Major Gifts Programs help to provide scholarships to deserving students, grants to faculty and staff for special projects vital to College activities, and finance equipment, technology and campus improvements.

I want to thank the Foundation Board Members for their hard work and counsel and also thank Patricia Prunty and her hard-working staff and College President D. David Conklin who never stops working for the Foundation and the College.

We are grateful for the continued participation and generosity of the faculty and staff of the College, the citizens of Dutchess County and our students who are so supportive in action and gifts. Together, we shall attain the goals which are so desirable and essential to ensure the continued fantastic success of the College.

**ALUMNI ASSOCIATION
OFFICERS**

Frederick Pizzuto, *President*
Marcia Rosenfeld, *Vice President*
Marlene Galow, *Secretary*
Carol Ann Champion, *Treasurer*

BOARD OF TRUSTEES

Thomas E. LeGrand, *Chairperson*
Charles E. Stewart III,
Vice-Chairperson
Joseph E. Davis, *Secretary*

Vincent J. DiMaso
Anne C. Forman
Bradford Kendall
Francis U. Ritz
Betsy Seaman-Brown
Mallory Bedell, *Student Trustee*

BOARD OF DIRECTORS

Sheila Appel '76
Ellen L. Baker, *Secretary*
Betsy H. Brockway '82
Martin Charwat
Richard Chazen
D. David Conklin
Tansukh G. Dorawala
Susan A. Doyle
W. John Dunn, *Assistant*
Paul Ellis, *Treasurer*
Michael H. Graham
William R. Grogg, *Chair*
Bernard Handel
Nicole Visconti Improta '99
Laura Kelly
Linda Melton Mann
Michael TJ McCormack '78
Jean D. Needy
John T. Nolan
Kip Bleakley O'Neill
Stephen J. O'Shea '79
David E. Petrovits
Frederick B. Pizzuto '68
Patricia L. Prunty, *Asst. Secretary*
Francis U. Ritz
Amy L. Sherman
Jeffrey G. Smith '72
Roger W. Smith, *Vice-Chair*
William R. Steinhaus, *Pres. '69*
Marty Triola
David Wise '80
Patti Zakow

ADVISORY MEMBERS

Charles A. Ahrens '67
Adrian (Butch) Anderson
Daniel F. Curtin
Vincent J. DiMaso '66
Klara Sauer

FOUNDATION STAFF

Patricia L. Prunty
Executive Director
DCC Foundation
Diana L. Pollard
Coordinator of the
Annual Fund and
Special Events
Martha J. Russell
Development Assistant
Leah Shaffer
Planned Giving Officer
Arthur Henry
Phonathon Director

**DIANA L. POLLARD
CLASS OF '97
JOINS
DCC FOUNDATION****SUNY-WIDE
ALUMNI
RECEPTION**



Diana L. Pollard

Diana L. Pollard is a graduate of the class of 1997. She has joined the Dutchess Community College Foundation as Coordinator of Annual Fund and Special Events. Diana will manage DCC Foundation events such as the Annual Bowlathon the Golf Tournament, the Auction, the DCC Foundation Craft Fair, and the Biennial Quilt Show. In addition, she will manage the phone-a-thon and other direct fundraising initiatives.

Diana's charge is to increase community donations to Foundation special events through sponsorship opportunities for businesses and individuals. She will also be developing new promotions and marketing strategies to increase participation in special events.

Pollard comes to DCC with fundraising, event planning, and nonprofit management experience from her work with both human services agencies and humane services for animals. Most recently, she was Development Associate for Families First New York in Poughkeepsie, NY. Closely affiliated with Family Services and the Family Partnership Center, Families First is a management services organization that assists nonprofits in areas of accounting, development, and business management.

Diana, a DCC graduate with associate's degrees in both Business Administration and Biology, received her Bachelor of Science degree from the University of Phoenix in 2005. She is currently working toward a master's degree in Business Administration and Marketing from the University of Phoenix. She is a longtime Dutchess County resident and graduate of Arlington High School.



President Conklin with John and Nancy O'Shea at the Naples, FL Alumni Reception. SUNY has held several receptions for graduates of SUNY school around the country this year.



Laura Devito '97, Karen Fisher '86, Margaret Scire, Nick Scire '99 and Richard Lounsbury '89 at the Raleigh/Durham Alumni Reception in February.

DCC PRESENTS EIGHTH ANNUAL PUMPKIN CHUNKIN EVENT

The College hosted the Eighth Annual Punkin' Chunkin' Competition on Sunday, October 16, at Dutchess County Fairgrounds in Rhinebeck. Teams of middle, high school, and college level engineering, technology, and physics students competed by hurling pumpkins with hand-built siege engines like catapults, trebuchets, and ballistas. The Punkin' Chunkin' competition was held in conjunction with the New York State Sheep and Wool Festival at the fairground.

Competing schools included DCC's Engineering Club, Arlington High School, Brewster High School, George Fisher Middle School, John Jay High School, Newburg Free Academy, Roundout High School, and last year's champion, Marlboro High School. Machines entered in the competition were designed, built, and operated by students. The machines had to be human-powered, that is, powered by a device which uses the stored energy of no more than two human beings.

In keeping with the Medieval theme of the event, targets shaped like castles were designed and built in DCC's Introduction to Architectural Drawing class under Instructor Paul Newsome. Just as engineering, technology, and physics students get applied experience through designing and building a sophisticated machine, first-year DCC architecture students gain a fuller understanding of meeting design parameters while learning hands-on building techniques.

DCC HOSTS BIENNIAL QUILT SHOW

Dutchess Community College hosted the Twelfth Biennial Dutchess Heritage Quilt Show on Saturday and Sunday, October 8 and 9, 2005. The show was presented by the First Dutchess Quilters Guild and the Dutchess Community College Foundation. Quilts and vendors were featured, plus lectures and workshops. The event included the 2005 Fashion Show with clothing and accessories for adults and children, as well as quilting workshops. First Dutchess Quilters Guild collaborates on this event with the DCC Foundation to support the College's contributions to the community, and the Foundation's contributions to the College and its students. Net proceeds from the Dutchess Heritage Quilt Show support a scholarship at DCC.



THREE DCC PROFESSORS SELECTED FOR ENDOWED FACULTY CHAIRS

Three Dutchess Community College faculty members. Associate Professor of English John Desmond, Associate Professor of History Werner Steger, and Professor of Government Richard Reitano were selected as recipients of the 2005-2006 DCC Endowed Faculty Chairs. The Chairs, funded by endowments maintained by the DCC Foundation, carry awards of \$5,000 each. The recipients will use these funds to develop special programs to benefit DCC students and the community over the coming year.

Professor Desmond's project, Giving Voice to the Dutchess County Audience for Poetry, is based on the Favorite Poem Project undertaken by Robert Pinsky as Poet Laureate of the United States.

The Favorite Poem Project is dedicated to celebrating poetry's vigorous presence in Dutchess County residents' lives. The project will include a three-month open call to the residents of Dutchess County for submissions of their favorite published poem from the English speaking tradition, along with their reasons for choosing it. Residents will be selected to read their favorite poems at an event to be held at the college.

Dr. Werner Steger, Associate Professor of History at Dutchess Community College, was the recipient of the 2005-2006 Handel Family Endowed Faculty Chair to honor the memory of Franklin and Eleanor Roosevelt. This is the third year the Chair has been awarded. In previous years, the Handel Family Chair has allowed the College to present Pulitzer Prize winning historian Dr. David Kennedy speaking on Franklin D. Roosevelt and the Shape of the Twentieth Century and acclaimed author and historian Lawrence Levine presenting *The Fireside Chats: America's Conversation with FDR*. Dr. Steger will present Blanche Weisen Cook on Eleanor Roosevelt April 11, 2006.

Professor Richard Reitano of Poughkeepsie was awarded a new Chair established in his name and endowed by contributions from friends, family, colleagues, former students, and alumni of the College. Professor Reitano will hold the chair as long as he is teaching at the College. Thereafter, the chair will be awarded to a full-time member of the DCC teaching faculty in government.

The new endowed chair will provide additional support to Professor Reitano's Model United Nations course. It may also be used to support students interested in government at the College, bring speakers or programs related to the various Government disciplines to the College, or to conduct research related to the various academic disciplines associated with the College's government courses.



John Desmond



Werner Steger



Richard Reitano



**DCC ENROLLMENT
TOPS 8,000**

**IBM'S MATCHING
GRANTS HAVE
IMPACT ON
DUTCHESS
COMMUNITY
COLLEGE**

At Dutchess Community College's 46th Annual Commencement ceremonies on Thursday, May 19, Mid-Hudson Pattern for Progress President, Michael DiTullo, urged DCC graduates to take an active role in their community and their economy through leadership and public service. Commencement included 889 students who had finished or were finishing their requirements for graduation in August 2004, January 2005, and May 2005. Altogether, nearly 3,000 people were in attendance.

DiTullo is a 1972 graduate of Dutchess, and like many of the 2005 graduates, he has deep roots in the Hudson Valley. He grew up in an Italian immigrant family, lived in public housing on Smith Street, attended Poughkeepsie City schools and Spackenkill schools, and launched his business career on Poughkeepsie's Main Mall.

This year's DCC graduates ranged in age from 18 to 65 and had studied 54 different College curriculums. The largest number – 218 – graduated from the Liberal Arts Humanities and Social Sciences curriculum. Another 114 students graduated from the Business Administration Transfer program, 70 students from the Nursing program, and 66 students from the Jointly Registered Programs with SUNY New Paltz in Elementary or Adolescent Education.

Nearly 40 percent of the Class of 2005 graduated with honors, having achieved a 3.2 GPA or higher in their studies at Dutchess. Four students graduated with a 4.0 average, meaning that they earned "A" grades in all courses taken at DCC. Approximately 33.1 percent of graduates received an Associate in Applied Science degree; 33.6 percent received an Associate in Science degree; 26.2 percent an Associate in Arts degree; and 7.1 percent a Certificate.

The Fall 2005 semester opened very strongly in terms of enrollment. College President, Dr. D. David Conklin announced that on September 16, 2005, enrollment at the College reached 8,101 credit students. "This is the first time in the history of the College that the fall enrollment surpassed the 8,000 student mark," said Dr. Conklin. He noted that the College's full-time equivalent (FTE) count is 3.8 percent greater than last year at the same time. This comes at a time when, said Dr. Conklin, It appears as though many of the other SUNY community colleges are either flat or had a decline in their enrollment this semester.

Thanks to the generous donations of faculty, staff and alumni who are eligible to have their gifts matched by IBM, the DCC Foundation is pleased to report that the matching amount has purchased \$75,000 in computer equipment over the last three years for the campus.

Since the inception of the program at DCC in 1991 IBM has contributed over \$500,000. This money helps the campus to purchase much needed computers, servers, and other computer related items. This matching grant fund from IBM directly benefits our students, faculty, and staff.

The Dutchess Community College Foundation raises money to improve and enhance educational opportunities for our students. IBM has clearly been a big part of that, and it is a testament to community involvement in the educational lives of students in the Hudson Valley.

The Foundation now has assets of over \$4 million thanks to the generosity of our community. Matching gifts absolutely make a difference for DCC!

**LOOKING
AHEAD**



This coming year will bring a lot of positive changes to the Foundation's events. As spring arrives so does Commencement and a weekend abounding with exciting activities. Commencement, held on Thursday, May 18 at 6:00 pm, will not only celebrate the new graduates but also commemorate those celebrating their 40th



reunion. If you are a member of the class of 1966 or a member of the classes of 1960-65 you are invited to march in the Commencement procession and attend the reception following.

The **Alumni Hall of Fame Dinner** honors Sadie Villain Effron '73 and Christine Rose Sproat '76. They will be inducted into the Hall of Fame at a ceremony on campus at 5:00 p.m. that is followed by a dinner. The dinner honoring these two remarkable women will be held on Friday May 19 at Christos in Poughkeepsie at 6:00 pm. All Alumni are welcome.

Our **Annual Golf Tournament**, taking place on May 22nd at Silo Ridge, is the finale to this eventful weekend. The new venue is sure to provide new challenges to all of our golfers. Following the tournament there will be a steak dinner, prizes, and awards.

Get those paddles ready, the **Annual Auction** has a whole new look this year and will be featured at the Dutchess Golf and Country Club on October 6. The evening will start with many attractive silent

auction items for viewing during the cocktail hour. As the evening rolls on there will be an exquisite collection of live items presented— something for everyone to bid on.

Thirty-five years, that is how long the Dutchess Community College Foundation has been hosting the **Annual Holiday Craft Fair**. This year is sure to bring back some favorite artisans with new ideas and as always we will have some new artisans never seen here before. Be sure to come and find some unique items for holiday gifts. The Craft Fair will be held, as always, the weekend after Thanksgiving, November 25 & 26, 2006.



Merriweather's handmade soap was just one of the many crafts for sale at the 34th Annual Holiday Craft Fair.

For more information on any of our events please visit our website at www.suny-dutchess.edu/dccfalumni/events.html.

The Dutchess Community College Foundation hosted its **16th Annual Golf Tournament**, the Monday following Commencement, May 23, 2005, at the Dutchess Golf and Country Club. The tournament was established by the Orcutt family in memory of Jack Orcutt, DCC's first Director of Student Activities. The golfer's enjoyed a buffet lunch, a great afternoon of golf, and a dinner filled with lively raffle drawings and prize presentations.

The tournament had a great deal of community support. The dedicated volunteers that



helped put the event together consisted of Adrian “Butch” Anderson and Vincent J. DiMaso, Co-Chairs, Barbara Cavalieri, Tim Decker, Joan DiMaso, Toni Emery, Gerri Pozzagaluzzi, Ginny Triola, Susan Moore and Anne Marie Vitale. The major sponsors of the event were the Orcutt Family, Marshall and Sterling, Public Sector Group Hudson United Bank, Darlind Construction, and Meyer Construction.

The Dutchess

Community College Foundation presented its **34th Annual Holiday Craft Fair** over Thanksgiving weekend, November 26 and 27, 2005, at the main campus in Poughkeepsie. The Craft Fair was a huge success with more people in attendance than ever before.

The juried show featured over 130 artisans. The show consisted of a plethora of handmade items ranging from hand stitched quilts, jewelry, candles, decorative paintings to blown glass not to mention wonderful gourmet foods. There were so many wonderful aromas everywhere. The smell of the New York Olde Tyme Kettle Korn filled the crisp winter air outside Drumlin Hall while the Embellished Bean provided a toasty aroma of fresh brewed coffee in Falcon Hall.

J & J Gourmet prepared a special treat on Sunday for the first 50 attendees—a warm breakfast consisting of pancakes, bacon and eggs, oh my, it was wonderful. We also received support for our vendor hospitality from two community organizations, Stop & Shop Supermarkets and Dunkin Donuts both located in Hyde Park.

EXCITING ALUMNI BENEFIT

We are proud to announce that **SUNY-Dutchess Community College** and **Liberty Mutual Insurance Company** have partnered to offer a program called Group Savings Plus, which provides discounts on auto and homeowners insurance to SUNY-Dutchess Community College alumni.

With Group Savings Plus, you'll enjoy:

- A group discount of up to 10% or more off our already competitive rates on auto and home insurance
- Additional savings based on your age, driving experience and more
- Rates guaranteed for 12 months, not six
- 24-hour claims service and emergency roadside assistance

For more than 90 years, Liberty Mutual has provided comprehensive coverages and personalized service to our customers. Liberty Mutual offers a full line of affordable coverages for your auto and home.

AUTO:

After an accident, you need an insurer that helps you get back on the road quickly. You need coverages and services designed to protect you, your passengers and your auto. You also need protection against legal suits. We offer you:

- A full line of protection to meet your needs, from comprehensive coverages to the minimum required by law
- More than 12,000 appraisal facilities throughout the U.S. that will appraise your car and, in most circumstances, issue you a check on the spot
- Emergency roadside assistance that provides 24-hour, toll-free access to help you anywhere in the U.S. and Canada

HOME:

We know how important it is to feel secure about your home and its contents. We offer complete protection for homeowners, condo owner and tenants that includes:

- Protection for your home and valuables such as jewelry, furs and silverware
- Speedy replacement of lost or stolen possessions. With our one-stop replacement service, we can locate the exact items you lost, or the closest match, and ship them to you within 48 hours
- Handy home repair referrals through our network of approved contractors and a guarantee on their work for one year

For more information or a free rate quote, please call:

Bob Doran

Sales Representative

Liberty Mutual Insurance Company

1110 Route 55

LaGrangeville, NY 12540

robert.doran@libertymutual.com

New York State Residents call:

1-800-342-0280, ext. 204

Outside of New York State, call:

1-800-526-1547



Helping people live safer, more secure lives.

NEW BOARD MEMBERS



Richard H. Chazen

Richard H. Chazen, a Dutchess County resident, graduated with a B.S in Civil Engineering from Syracuse University in 1975. He is currently a Licensed Professional Engineer in Connecticut, Maryland, New Jersey, New York, Pennsylvania, and Virginia. Chazen's extensive practical experience leads to exceptional problem solving capabilities in the engineering and environmental areas. He became involved on a part-time basis with Milton Chazen Associates in the early 60's. In 1975 he became a full-time employee. As one of the two principals in charge, Mr. Chazen directs the day-to-day operations, overall design of projects and quality control of Chazen Engineering & Land Surveying Co., P.C. In addition he belongs to several professional organizations: Dutchess County Economic Development Corporation; Mid-Hudson Consulting Engineers Society; Poughkeepsie Cemetery Board of Trustees; Vassar Brothers Medical Center Board of Trustees; and the National Society of Professional Engineers; American Society of Civil Engineers; National Association of Environmental Professionals.



Martin Charwat

Martin Charwat, a Certified Financial Planner, is currently an educator in the fields of financial planning and investments and political science. Charwat, a Poughkeepsie resident, has a very diverse educational background. He started his educational career at Georgetown University of Foreign Service in Washington D.C. and received a Bachelor of Science in Foreign Service. Charwat then received a Masters of Arts in Political Science and Latin American Studies from Columbia University in New York City. Then back to D.C. to the J.D. Georgetown University Law Center. Finally, after taking up residency in the Hudson Valley, Charwat received his Certified Financial Planner certificate from Marist College. He currently is a Trustee for the Oakwood Friends School and the Anne and Abe Effron Fund at the Community Foundation of Dutchess County. The Poughkeepsie Rotary Club, the Bardavon Opera House, and the Vassar Temple are among a few of his other community interests.

Patti Zakow, a Dutchess County resident, graduated from New York Law School in 1992. She then put her law degree to work by doing trial work for Harry Lipsig & Partners until 1995. Zakow then became an Account Services Manager specializing in marketing and sales and service for AIG from 1995 to 2000. In 2000 Zakow became a Poughkeepsie resident. She is currently a stay at home mom with three children, ages 6, 4, and 1 and has been married for seven years.

Zakow currently also serves on the Executive Board and Parent's Association for the Jewish Community Center. She is also a member of the Junior League. She has stated "I think that education is extremely important and gives me the opportunity to serve the community."



Patti Zakow

Michael TJ McCormack, a Dutchess County resident, graduated from Dutchess Community College in 1978. He continued his educational career at the New York Institute of Technology where he earned a Bachelor degree of Architecture. He is currently a Registered Architect in Connecticut, Florida, New York, and Pennsylvania. McCormack, a Principal Architect and founding partner at Liscum McCormack Van Voorhis, specializes in collegiate facilities. In addition to his every day work, McCormack serves on the Dutchess Community College Architectural Board, Chairman of the Town of Clinton Planning Board, and is a member of the following: NYS, Mid Hudson/Westchester Chapter, American Institute of Architects; St. Francis Hospital Healthcare Foundation; Bannerman's Island Trust; Dutchess Community College Alumni Association; Dutchess County Workforce Investment Board; Town of Clinton Republican Committee (Chairman); and the Dutchess County Planning Federation.



Michael TJ McCormack



Laura Kelly

Laura Kelly, a Dutchess County resident, is currently a Dutchess Community College student. Kelly graduated sixth in her class and was on the Honor Roll throughout her high school career. Kelly was not only an excellent student but she also participated in boy's varsity tennis. She obtained a first degree black belt ranking in Tae Kwon Do and proceeded to instruct new students. Another passion is the theater where she has acted in *Annie Get Your Gun*, *Footloose*, *Guys and Dolls*, *The Music Man*, *Anything Goes* and this year's DCC production of *Pippin*. Kelly volunteers at a local food bank and pantry in Pine Plains and has for the past two years. She does whatever is needed of her, from stocking shelves and unloading trucks to actually distributing the food to those in need.



Nicole L. Visconti Importa

Nicole L. Visconti Importa, a Dutchess County resident, graduated from Dutchess Community College in 1999. She is a highly motivated outgoing individual who is artistically inclined and has a strong retail background. Importa has used her talents as an Accessories Department Manager, a Warehouse Manager as well as a Webmaster. Since June 2000 Importa has been the Assistant Store Manager for Viscount Wines & Liquor in Wappingers Falls. Her strengths allow her to successfully oversee customer service, the front-end, scheduling, human resources, purchasing, and all aspects of the bookkeeping.

The following alumni, faculty, parents, staff, corporations and foundations contributed to the Dutchess Community College Foundation between September 2004 and August 2005. It is our intention to be as accurate as possible in listing all donors. In the event of an error, please accept our regrets and be sure to let us know.

DUTCHESS
COMMUNITY COLLEGE
FOUNDATION
DONORS

PRESIDENT'S CIRCLE
\$5,000 OR MORE

Carole M. Berotte Joseph
Community Foundation of Dutchess County
Charles E. & Mabel E. Conklin
Linda Gibson Cupit
Edwin A. Ulrich Charitable Trust
Estate of James V. Forster III
George A. Strba Charitable Trust
Bernard & Shirley M. Handel
Public Sector Group, Hudson United Bank
Hudson Valley Federal Credit Union
IBM Corporation
Anthony B. Ligamari
Louis Greenspan Charitable Trust
Marshall & Sterling Insurance Company
McCann Charitable Trust
Millbrook Tribute Garden
John P. & Nancy O'Shea, Jr.
Llelanie S. Orcutt
Amy Sherman & James Page
Jeffrey G. Smith '72
Roger W. Smith
Martha A. Sullivan
TEG Federal Credit Union
Transwestern Publishing
Mary Louise Van Winkle
Brenda Verbeck
Allyn & Mildred Washington

HUDSON CLUB
\$1,000–\$2,499

Susan L. Adams '72 & Mark Adams '00
Bentley Trust
Berkshire Taconic Community Foundation
C.B. Strain & Son
Catskill Hudson AHEC
Etta L. Christiana '81
Owen & Linda Clarke
Donald & Luella Cleverley
Darlind Construction
Joseph DeRosa
Tansukh Dorawala
Dutchess Community College Music School
Paul Ellis
Mark R. Finkbeiner '86 & Karen Finkbeiner
Madison K. Finley
Friends of The Helen Aldrich Recreation Park
Patricia M. Gee
Dorothy A. Hayward '78
Arthur L. & Yolanda M. Henry
Hyde Park Lions Club
Karen & Harold Jacobs
June & Aaron Gillespie Forum
Frank W. Kotzur '72
Liscum McCormack VanVoorhis
M & T Bank
McCabe & Mack
Mid-Hudson Valley Federal Credit Union
Mid-Hudson Valley Land Surveyors
Association

FOUNDATION CLUB
\$2,500–\$4,999

Chazen Companies
D. David Conklin
Corbally, Gartland & Rappleyea
Dutchess County Agricultural Society, Inc.
Toni M. Emery '66
Arthur Gellert
George T. Whalen, Jr. Foundation
Donald & Helene Holzhammer
Timmian C. Massie '78
Meyer Contracting
Michael J. O'Dell '69
Poughkeepsie Journal
Reese Charitable Lead Trust
Francis U. Ritz & Mary Ferris Ritz
Stop & Shop Companies
Town of Poughkeepsie Police Benevolent
Association
Marty & Ginny Triola
Robert & Ann Marie Vitale

Millspaugh Furniture
Milor Enterprises
Morris Associates
Pawling Corporation
Dave Petrovits
June S. Pierson
Patricia L. Prunty
Allan & Julie Rappleyea
James A. & Nancy L. Reitano
Riverside Bank
Mark A. Roland
Ruth A. Rossi '79
Dudley S. Schneider
Elayne Seaman
Betsy Seaman-Brown '64
James & Mary Lynn Smith
Town of Poughkeepsie
Republican Committee
Eva Utter
Vergilis, Stenger, Roberts,
Pergament & Viglotti
Debra M. Weeks '82
Daniel P. White, III
Williams Lumber
Betty E. Wise '83

TACONIC CLUB \$250–\$999

Absolute Auction & Realty
Action Capital Mortgage
Services
Adams Fairacre Farms
Admiral Moving & Storage
Charles A. Ahrens '67
American Legion Arlington
Post 1302
Bridgette Anderson
Arris Contracting Company, Inc.
William & Virginia Augerson
Vincent W. Bakaitis
Ellen Baker
John M. Baron '79 &
Joanne M. Baron '79
Michael J. Barrett '71
Linda M. Beasimer
Beth's Beaded Designs
Marie Aiello Bianco '75
Judith Bleakley O'Neill
Pamela P. Blum
Wendy A. Bohlinger '76
Bridgecom International
Brinckerhoff & Neuville
Betsy Hoberler Brockway '82
Larry Carr
Richard & Judith Carson
Sherri A. Cinelli Carufe '79
Catskill Mountain Farms
Committee to Elect
Adrian Anderson
Susan H. Conrad
Richard V. Corbally
Michael Crawford
Cumulus Broadcasting
Dan & Maureen Curtin
D'Arcangelo & Company
Gary J. Darling
DC Supervisors &
Mayors Association
DCC Association
DCC Student Activities
Timothy R. Decker
Patricia I. DeLessio
Dennis M. Dengel '71
Anthony Denizard '99
Carl L. Denti
Detlef Wolf
Mario A. Diaz & Yolanda Diaz
Anthony J. DiMaso '65 &
Joanne DiMaso
Vincent J. DiMaso '66 &
Joan DiMaso '67
Dolores DeMarinis
Dana Dorrity
Robert & Susan Doyle
DRA Imaging
Dutchess Community College
EFCO Products
Sadie Effron
Steven L. Effron
Samuel E. Englehart

Fairy Godmothers
Fellenzer Engineering
David G. Ferenz
Leona G. Fitzgerald
Alan D. Foster
Henry P. Fuhrmann '71
James T. Galluzi &
Geraldine Pozzi-Galluzi '74
Arthur L. Gellert
Gellert & Klein, P.C.
Gems of Time
Goal To Goal Soccer
Academy LLC
Jacqueline Goffe-McNish
GP Land & Carpet Corporation
Michael H. Graham
Hy & Elaine Greenspan
William Grogg
H.D.L. Associates, Inc.
Handel Foundation
Harmon & Castella Printing
William T. Harwood, Jr.
Regina D. Telzerow Hichak '92
Janice A. Hilderbrand '93
Howard & Emily Himmelstein
Robert F. Hock '82
Christina Maselli Lysenko
Howe '84
Hudson Valley Balloon
Adventures
Hudson Valley Renegades
Hummingbird Designs
Isn't It Sweet
Ann E. Jackson '03
John Herbert Company
Brad & Barbara Kendall
Gail M. Kennedy '90
KJM
Kenneth & Joan Knapp
Mary Koniz Arnold
Ronald Kupin
Lahey's Midway Market
Colleen A. LaLonde '92
Grant & Judith Lewis
Susan C. Lieberman '87
Barbara Liesenbein
Limnology Information &
Freshwater Ecology
Kevin J. Longacre
James C. Mabry
Richard W. MacNamee
Mardi-Bob Management, Inc.
Marist College
Carmen M. McGill
McGrath, Basciani & Assoc.
Margaret E. McIntire
Kathy McLaughlin
Linda Melton Mann
Mid-Hudson Consulting Civil
Engineers Society
Minnewaska Lodge
Mohonk Mountain House
Holly J. Molella
F. Kennon Moody
Susan Lucy Moore '66

James F. Moran
Judith N. Mathews Morris '94
Ronald T. Mullahey '69
Timothy F. Murphy '99
Martha Reifler Myers
Jean Needy
John Nolan
North River Abstract Corp.
On Location
Wesley Ostertag
Gerald & Esther Ottaway
Patchwork Plus
Ethel W. Paxton
Phoenix Beverages
Poughkeepsie Professional
Fire Fighters
Public Finance Associates
Richard Reitano
Clare T. Stritt Ring '75
River City Abstract LLC
Robert P. Carter Insurance
Rocking Horse Ranch
Camilo Rojas
Lynn Rondeau '92
Rondout Electric, Inc.
Carol A. Roper
Evelyn A. Rosenthal
Elliot Rudoy
William J. Ryan '69
Diana Salsberg
Klara B. Sauer '72 &
Heinz Sauer
Section One, Inc.
Selective Insurance
Sherman Furniture
Jeroald & Eileen Slate
Sodexho
Something Special By Basia
Christine Morabito Sproat '76
and James Sproat
William R. Steinhaus '69
George & Carol Stevens
Charles & Gillian Stewart
Laurie J. Stoeckmann
Frank & April Strickler
Sucato Builders
James F. Thompson
Town of Poughkeepsie
3rd Ward
Troutbeck Country Inn &
Conference Center
UHY Advisors
URS
Daniel J. Valentine '71
Linda B. Vittone '98 & Gerald
R. Vittone '88
Wachtel & Masyr, LLP
Howard Wadzuk '99
Mr. William M. Wallens
Watercolors by D.V. Matsakis
Donald A. & Marjorie Way
John H. Westermann, Jr. '74 &
Jennifer S. Westermann '76
Ann Winfield
David R. Wise '80
Ms. Carole R. Wolf

JAMES F. HALL LEGACY SOCIETY

The following people have notified the Foundation that they have made a planned gift to Dutchess. Planned gifts are given once the donor has passed away and may include a bequest, charitable trust, personal residence, life insurance policy, IRA, or any appreciated items such as artwork.

Eric W. Deyo '71
Vincent J. DiMaso '66 &
Joan DiMaso '67
Dorothy J. Fitchett '81
Gail Ganter-Toback &
Arnold Toback
Patricia M. Gee Ansari
James & Betty Hall
Mary V. Imperatori
Michael J. O'Dell '69
June S. Pierson '69
Francis U. & Mary F. Ritz
Werner H. Schmidt
Edna Klein Silber
William R. Steinhaus '69
Mary Louise Van Winkle
Rita D. Weber-McKee

FALCON CLUB— \$100 - \$249

Accent Financial Group
Adams Fences, Inc.
Michael A. Aiello '80
Aladdin Lauderdermat, Inc.
Sarah C. Aldrich
Morton A. Alterman
Adrian H. Anderson
Anjali
Sheila Choate Appel '81
Jacquelyn Appeldorn
Apple Greens Golf Course
Arlington Athletic Club
Lori M. Arnoldy-Londa '79
Art & Ina's Crafty Woodworks
Karen M. Ashline '04
Audrey's Attic
Katherine A. August '75
Aunt "G's" Traditional Crafts
Jon J. Baisley & Jan Baisley
Barbara Baldwin Marx
Rita L. Banner '77
George & Phebe T. Banta
Bard College
Bardavon Opera House
Thomas A. Bauer '99
Stephen J. Beck '78
Donald R. Becker
Bella's Home Baked Goods
Wendy L. Poland Berger '81

Best of Scotland
 Vincent M. Bihn, II
 Cheryl A. Billings
 Bird House Brokerage
 Blackbird Design Studio
 Blue Star Industries
 Robert G. Boolukos '70
 Boscobel Restoration
 Brad Kato Pottery
 Scott R. Bradley '00 &
 Theresa J. Bradley '95
 Eleanor Decker Bramley '65
 Broad Options
 George S. Brown, Jr. '70
 Susan E. Wagner Brumer '84
 Barbara Bruno
 Jay A. Bunt '87 &
 Glynis L. Bunt '84
 John & Gail Burweger
 Mickey Bush
 Cabin Critters
 Duane A. Calvin '67
 James R. Champion '70
 Frederic M. Cantor '69
 Cardinal Hayes Home for
 Children
 Michael P. Carielli '94
 Charles & Mary Kay Carlson
 Carvel Country Club
 Frank M. Castella, Jr. '99
 Vincent J. Catalano &
 Frances E. Catalano '85
 Kenneth Y. Chapman '81 &
 Cheryl M. Chapman '61
 Robert J. Church, III '74
 Michael A. Cifone '89
 Carl A. Clark, Jr. '91
 Deborah J. Busha Collyer '88
 John & Ingrid Connolly
 Contemporary Silver Jewelry
 Donald & Valerie Cook
 Linda Cookingham
 Coppola's Restaurant of
 Hyde Park
 Judith A. Corbett
 Leonard J. Corcoran '76
 Cosimo's Trattoria & Bar
 CR Properties Group
 Jean Crandall
 Catherine A. &
 William G. Crane
 Kelly A. Crawford
 Croft Olson Metals
 Crystal Wings
 Culinary Institute of America
 Perry Cuttino
 DaniPress Quilts
 Dashing Star Farm
 Joseph E. Davis
 DC Counseling Association
 Ralph M. Dean '68
 Gabriel E. Deeb
 Thomas G. Denton
 Karen R. DeRuyter '75
 Designs for Contemporary
 Living
 Dill's Best Building Center
 Anne Dinardi
 Carol A. Humes Dodge '76
 Toni M. Doherty '80
 Dough Boy's Pizzeria
 Sheila M. Drew '85
 John P. Drusik '84
 W. John Dunn
 Dutchess County Economic
 Development Corporation
 Dutchess County Municipal
 Historians Association
 Dutchess Restaurant
 Equipment
 Mary E. Kozlarek Duval '85
 Christian W. Ecker, Jr. '68
 Elm Grove Fiber Arts
 Essence of Luxury
 Estrella
 F & B Porcelain
 Stephen F. Fabrico
 Fairview Fire Company
 Fall Fittings
 Fall Steel
 Family Affair Crafts
 Fawn Ridge Pottery
 Robert & Margaret Feldman
 Pasquale E. Ferrante '61
 Robert D. Ferris '60
 John T. Finley '73 &
 Susan D. Finley '80
 Hiltrud C. Finnigan
 Fisher Machine Company
 Foam & Wash Express
 Forever Arts
 David P. Fouts '60 &
 Joyce Ann Fouts '76
 Fran's Fantasies
 Fred & Lola
 Betty-Ruth Glenn Freer '86
 Linda Friends
 Frog Park Herbs
 Karen A. Galloway '65
 Marlene M. Galow '70
 Kerry M. Garo '89
 Gemini River Rocks
 Gigi's Attic
 Glassblowing.Com
 Glory Beads
 David S. Goldberg '92
 Norman Goluskin
 Good Feeling Leathery
 Clara Lou Gould
 Gourmet Creations
 Judith L. Grabowski '78
 Greater Southern Dutchess
 Chamber of Commerce
 Michael A. Grega
 Vincent R. Grega
 Mary Sievers Grosskopf '83
 Stanley Grubel
 James & Betty Hall
 James T. Hammond
 Hands In Clay
 Lawrence J. Hannigan '63
 Richard & Susan Hansen
 Peter W. Hardin '68
 Timothy J. Haufe '73
 Nancy J. Edmonds Hedman '80
 Benjamin C. Hefferon '04
 Helen's Enterprises
 Annemarie Blum Hennekens '95
 Yolanda & Arthur Henry
 Kimberly M. Keeley Henschel '77
 Gail A. Hermosilla &
 Louis J. Cesa
 Hickey-Finn & Company
 Hicksey's Auto Repair
 Highland Farm
 Mildred Hoff
 William E. Holland
 Hollenbeck & Dailey
 Alice R. Hollinbeck '71
 Christina M. Houghtaling '71
 Cynthia A. Huber '85
 Richard & Bonny Lee Hughes
 Doris M. Hummel '76
 Valerie A. Caruso Hunter '84
 Hyde Park Swim & Tennis Club
 Peter Idema, III '60
 Image Pro
 In Art Pottery
 Karen A. Ingham
 Inklings
 Richard & Cynthia Istvan
 J. J. Stanis and Company
 Janine King Designs
 Jewelry & Keepsakes by Phyllis
 JH Ketcham Hose Company
 John Roger Jewelry
 Warren E. Johnson '72 &
 Carole Johnson '69
 Alison V. Kaase
 Kaatsbaan International
 Dance Center
 Ann B. Kacur '76
 Joanne E. Heady Kase '86
 Kathy's Kwillows
 Katya's
 Maryann Ilyko Katz '87
 Peter & Anne Kelderhouse
 Paul S. Kelley
 John F. Kermashek '67
 Kindred Spirits Crafts
 Judith C. Kohl
 George & Margaret Kondor
 Linda Wild Kondor '69 &
 Michael J. Kondor, Jr. '72
 Bill & Rita Kondor
 Lynne Arcari Kopac '87
 Paula L. Sheehan Kraus '78
 Anthony Krzywicki
 Bruce C. Kurtz
 Kathryn T. Lee '83
 Thomas E. LeGrand
 Let it Bead
 Let's Get Personal
 Dani M. Leventhal
 Deborah J. Lill '95
 Susan B. Lipp
 Liz & Ron Jewelers
 Lo-Rac Fuel Corporation
 Thomas H. Loeber '78
 Loon Baskets
 Lori Barker
 William G. Love '76
 Anna Lowther
 Robert S. Lumb '68
 Nona S. Lynch '67
 Shawn M. Macnish '94
 Majestic Underground
 Manege Designs
 George W. Mann
 Patricia L. Probst Marchetti '66
 Maria's Homemade Crafts
 Marilyn Price Ceramics
 John D. Marrine '77
 Joan R. Marshall
 Judith A. Wright Martin '87
 Bruce K. Mason '66
 Richard T. Matthews '69
 Joan M. Mazza
 Frank & Carla Mazzarelli
 John W. Mazzetti &
 Judith A. Mazzetti '97
 Tammy A. Mcallister '83
 David W. McCready '96
 Margaret A. McDonald
 Alice M. McGovern
 Thomas H. McGrath
 Margaret M. Mckeon '81
 John R. McKinney
 Patricia A. McMaster '75
 Meadowood
 Joseph Meehan
 Merriweather's
 Dean P. Michael '81
 Mid-Hudson Civic Center
 Mid-Hudson Technical
 Societies
 Mill Street Loft
 Neil W. Millard '86
 Melinda L. Miller '83
 Edward J. Mills, III '85
 Michael F. Minogue '71
 Jim Miscedra
 Mohonk Golf Course
 Molloy Pharmacy
 Deborah T. Most
 Mostly Glass
 Mothering Heights
 Photography
 Mr. Todd's Gymnastics
 Mary B. Mucci
 Angel L. Munoz '93
 Gerald F. & Helen F. Murray
 Patricia A. Murray '89
 National Junior College
 Athletic Association Region 15
 New Hamburg Engine
 Company No. 1
 New Horizons
 Marta A. Newkirk
 Kenneth J. Nicolosi '72
 George & Ludmila Nikolsky
 North Road Auto Parts
 Northside Supplies
 Stephen J. O'Shea '79

Harold W. Oakhill '78
 Frederick G. Oberender
 John H. Ochs '71
 Dominic K. Odescalchi '89
 Olana State Historic Site
 Old Drover's Inn
 Old Willow Crafts
 Orchard Park Recording
 Janet Orwick
 Out of the Woods
 P A Designs
 P.J. McGlynn's American
 Steakhouse
 James Page & Amy Sherman
 Rachel & Allan Page
 Palace Diner
 Richard J. Palan
 Gary R. Palmer '66
 Pampered You Natural
 Bath & Body
 Pangia & Company, CPA, PC
 Passikoff, Heeney & Scott
 Ross L. Pattison
 Kelly D. Peduzzi
 Elwira Pelczynska
 John J. Plesz
 William E. Pelton '82 &
 Jill P. Pelton '82
 Brian J. Penney '96
 Philip C. Peters '73
 Robert A. & Jeanne Petix
 Richard L. Peverly
 Helen Pizzarelli
 Pizzeria Uno
 Frederick Pizzuto, II '68 &
 Joanne Puccio
 Pleasant Valley Volunteer Fire
 Company No.1
 Robert B. Podris '66
 Joseph V. Poillucci
 Salvatore A. Potenza '69
 Delia A. Potenza-Makris '82
 Poughkeepsie Women's
 Republican Club
 Anthony J. Pucek '75
 Frank F. Putallaz
 Jonathan Quell
 John J. Quinn '70
 Ismat H. Rabadi '80 &
 Linda R Rabadi '80
 Rain Barrel Soap
 Jeannine A. Ranni
 Robert C. Rawls '71
 Paul Rich
 Richlyne Scrollers
 Jeffrey D. Richter '87
 Robbie Manufacturing &
 Sales Corp.
 Shirley Roberts-Brereton '88
 Joyce A. Robillard '87
 Richard &
 Caroline J. Rogers
 Marcia C. Rosenfeld '84
 Ralph & Jo Ruf
 Martha J. Crusie Russell '01

Elizabeth Leonard Saile '81
 Lillian Whitford Sakkas '84
 Matthew A. Salchert '78
 Eileen M. Saluga '79
 Thomas T. Sanford
 Fred W. Schaeffer '63
 Floyd A. Scholz
 Janice R. Scholz
 Casey M. Scott
 Jeffrey A Scott '76
 Logan A. Scott '81
 Sabra Segal
 Serenity Bamboo Flutes
 Yvonne K. Jackson Sewell '69
 Shelley Gilbert
 Melissa McKay Siegel '92
 Silverman
 Janet Dececco Silvestri '93
 Samuel & Gail Simon
 Karen J. Sinclair '00 &
 Mark T. Sinclair '75
 Colleen M. Callahan Sinon '74
 Josephine Skimin
 Barbara Small
 Joe & Kelly Small
 Soaperstitious
 Valerie J. Sommerville
 South Bay Jewelry
 Spoonwood Country Crafts
 Stanco's Auto Body
 Stephanie M. Stillwell
 Stonestrow
 Jay H. & Darcy Stricker
 Kay Stuntz
 Sue's Originals
 Paul Sullivan
 Sunny Day Pottery
 Superior Wireless
 Eleanor Swartz
 Tallix Art Foundry
 Kathleen A. Tancredi
 TeaThyme Herb Farm
 Tedaldi Country Keepsakes
 M. Douglas Terwilliger '70 &
 Danielle C. Terwilliger '82
 The Craft Merchant
 The Creative Spirit
 The Twaalfskill Club
 The Uplands
 Nancy Loatman Thomas '71
 Thomas Carvel Country Club
 Thrifty Beverage Barn
 Linda P. Tittmann '98
 Tivoli Gardens
 Top Notch Builders, Inc.
 Torsonome Memorial
 Funeral Home
 Dwight M. Townsend '63
 Treasures of the Vine LLC
 Bradford D. Tree '89
 Sandra J. Pretal Troccia '70
 Twisted Trends
 Ukrainian Eggs By Cathy
 Umami Cafe
 Bret A. Urbanski '93

Deirdre J. Valla '93
 Mark P. Van Demark '77
 Philip K. & Barbara Van Itallie
 Michael A. Van Wagenen '76
 Barbara Beasimer VanVoorhis
 Sal Vasi
 Benoit Ventimiglia
 Rocco T. Veronesi '70
 Vincent J. Viola
 Michael G. Visconti '70
 Thomas J. Visentin '77
 Laura De Garmo Voght '80 &
 Gregory P. Voght '68
 George J. Vrba '69 &
 Jane L. Vrba '67
 Wendy E. Walker
 Gay Wallenburg
 Warm Thoughts
 Francine A. Crapa Waruch '81
 David B. Watts '76
 Sally A. Toomey Weglinski '77
 Deborah G. Weibman
 Maria T. Weinberg '95 &
 Arthur Weinberg
 Chris Weslowski
 Nettie R. West
 Russell V. Whittaker, Jr.
 Richard E. Whitted '73
 Robert N. Wiggin '77 &
 Bernadette D. Wiggin
 Wildlife Art of Vincent Bihn II
 Franklyn E. Williams '72
 Raymond J. Winchcombe '73
 David L. Winters '65
 Beth W. Wright '79
 Michael A. Wright '75
 Yan Yan
 Ann Zaccheo-Phillips
 Patricia A. Zerbe
 Jie Zhong Zhi
 Jeffrey A. Zitz '84
 Alan A. Zollner '81
 Zoomers

Richard P. Alexis '85
 Louis D. Aliotta '79
 All Sport Poughkeepsie
 Glenn A. Allen '90
 Loretta Monaco Allen '78
 Thomas H. Allen '68
 Elizabeth Gilbert Allers '68
 John V. Allers '73
 Robert & Martha Allers
 Valerie Graff Alley '78
 Beverly Allyn
 Lester C. Alrwick, Jr. '66
 John C. Alongi '79
 Tyra Osterling Amendola '92
 Sharon M. Amorosa '04
 Tamara J. Amundson '77
 Michael E. Anderson '97
 Stacy Friel Anderson '81
 Sarluta E. Anderson-Davis '71
 Vivian P. Anella '74
 Aileen Angel '98
 Garifalia L. Anghelis '79
 Paul D. Annetts '88
 Naomi & Gene Anolick
 Harriet A. Anspach
 Sandra Archer '92
 Elena Bove Argaluz '92
 Edward R. Armstrong '77 &
 Elizabeth M. Armstrong '00
 Philip F. & Gail A. Arnold
 Jason C. Arrick '91 &
 Tracey A. Arrick '98
 Artistry Design
 Elizabeth P. Ashline '71
 John Atherton
 Adam V. Austell '90
 Catherine Avallone '03
 Bonnie L. Babcock '78
 Mary G. Bagley '68
 Howard & Marie Baker
 Amy C. Baker-Maile '81
 Dennis N. Bakoledis '72
 Joann E. Balassone '70
 Diane Sisson Baldwin '89
 Lynda Wisdo Ball '80
 Charlotte Hubbard
 Ballinger '68
 Martin S. Banyard '77 &
 Loretta M. Banyard '86
 Beverly M. Baranowski '93
 Lorelei J. Bardes '99
 John J. Barki, III '91
 Gary J. Barrack '70 &
 Pamela Barrack
 Francine DeMarco Barrett '80
 Richard A. Barrett '92
 Donald T. Bartles, Jr. '71
 Kathleen Bartles '66
 Janet Munier Barton '86
 Gina Basile '97
 Brian P. Battistoni '83
 David L. Battistoni '64
 Lawrence R. Battistoni '72
 Gregory L. Bauer '85
 Patricia Merola Bayack* '88

FRIENDS TO \$99

Karen Abramson
 Deborah K. Ackerman
 Acropolis Diner
 Aimee L. Genin Adamec '87
 Mary F. Dougan Adamik '83
 Linda C. Riess Adams '70
 Paul D. Adams '69
 Patrick M. Adams '81
 Ronald J. Adams '80
 Martha Afzal
 Louise H. Detjen Agne '87
 Brian L. Agor '78
 Seemi Ahmad
 Christopher Albanese '78
 Suzanne B. Albright '95
 Jon M. Alessandrello
 Michelle R. Alessandro '00

Anna M. Schellace Beck '74
 Randolph C. Becker '79
 Jeanne A. Maloney Beckley '78
 Robert W. Beckmann '81
 Brian L. Bedell
 Frank D. Bell '72
 Vincent Bellino
 Mary W. O'Neill Belliveau '77
 Christopher G. Bender '95
 Gregory S. Benjamin '89
 Jacqueline Bennett '96
 Maureen Murphy Bennett '80
 Rose Berkowitz Berek '91
 James L. Beretta '78
 Paul H. Berger, Jr. '73
 Marland Clayton Berghorn '77
 Louis J. Bergman '69 &
 Blanche R. Bergman
 Lynn Digilio Berkley '71 &
 Dennis R. Berkley '85
 Jephtha Bernstein
 Lisandro G. Bertolozzi
 Eileen L. Best
 Kathryn J. Bierman '77
 Denise Monti Biery '88
 Bill Walter Shows
 Richard Birch
 Edward W. Biro, II '68
 Muriel S. Bixler '79
 Trevor C. Blackett '67
 Sanford J. Blaze '70
 Mary L. Bleu '79
 Karen T. Blonder
 Charles J. Bloomer '82
 Leonard H. Bloomer '72
 Ray & Elizabeth Boedecker
 Susan King Boersema '84
 Andrew C. Bois '84
 Dennis & Theresa Bordanaro
 Dana R. Borquist '84
 Estelle Boskus '82
 Maria B. Bottini '77
 Thelma J. Bowlder
 Jane Schuyler Bowler '74
 Kenneth A. Boyd '82
 Lisa M. Boyes '89
 Laura A. Bracken &
 Peter B. Bracken
 Cheryl C. Bradley '69
 Theresa MacBrien Bradley '95
 Scott R. Bradley '00
 Neil M. Brandon '76
 Hon. James V. Brands
 James B. Brazee '83
 Susan Triller Bremiller '72
 Christine R. Brett '95
 Andrew H. Brill '82
 Gail Brittain
 Margaret Flynn Britton '67 &
 Colin A. Britton '76
 Paul J. Brown '75
 Jennifer L. Bruckert '90
 James J. Brugger '80
 Carmine M. Bruno '74
 Earl Bruno, Jr. & Sandra Bruno
 Leslie Graham Brusie '88 &
 Robert G. Brusie '73
 James D. Bryant '84
 Charles A. Bucchioni '75
 David L. Buchanan '88
 Anna & Werner Buchholz
 Susan E. Buck '69
 Charlanne M. Buckley '95
 Mary B. Buglion '79
 Scotty & Tiffany Bullins
 Catherine D. Bullwinkle '75
 Gail A. Burger
 Sharon Coulter Burger '82
 Karen L. Burgess '78
 Maurice M. Burke, Jr. '82
 Deidre E. Burlon-Kandee '74
 Cynthia J. Burns
 Jennifer Dalton Burns '97 &
 Mark F. Burns '96
 JoAnn M. Burns '94
 Benjamin J. Burruby '01
 Kristine S. Bush '67
 Busy Bee Cafe
 Dawn Butsko Buzzelli '82
 Sydna A. Byrne
 Barbara Campbell Cafarelli '93
 Susan Lobotsky
 Calafrancesco '80
 Calico JAM Studio
 Mary Callahan '96
 Frederick J. Callo '90
 Jerry G. Calvin '73
 Joanne Cameron '88
 Kristopher W. Campbell '99
 Anthony V. Campilii '60 &
 Virginia DiSantis-Campilii '60
 Gale Hesse Canale &
 Thomas F. Canale '76
 Timothy P. Carbarry '76
 Carla M. Carbone '91
 Dana L. Carey-Gordon '89
 Joseph S. Carfora '74
 Deborah C. Carlough '80
 Ramona J. Carlstrom '69
 Lynette Jerocimo Caroli '76
 Grete S. Carpenter '77
 Maureen V. Carroll '70
 Timothy M. Carroll '73
 Helen Goyette Carter
 Kathleen Tierney Carter '79
 Anna M. Casaubon-Rocheville
 Cathleen W. Cassidy '82
 Elizabeth Murphy Catalino '84
 Barbara Dolansky Cavalieri '90
 & Jefferson D. Cavalieri
 Rhonda R. Cayea '80
 Christina Dowling
 Centenaro '74
 Nicole Miller Cervone '84
 Elmer H. Chamberlin '82
 Janet Chlystun Champlin '69
 Catherine Chang
 Harlan W. Chapin, Jr. '61
 Lorraine Leclerc Chaput '83
 Charlie Brown's Steakhouse
 Martin & Eleanor Charwat
 Frank F. Chase '78
 Scott G. Chase '74 &
 Jeanne M. Valentine-Chase '73
 Chelsea Fire Company
 Cindy Quintiliani Chesser '91
 Gudrun Friton Christman '72
 Christos Catering
 Alice Corbo Chupay '78
 Patrick A. Ciferri, Jr. '70
 Hildegard Alexy Cioffi '78
 David O. Clark '82
 Kevin Clark '95
 Nancy E. Clark '73
 Beatrix M. Clarke '93
 Glenn S. Clarke
 Pamela W. Clausen '91
 Robert Clearwater '65
 Joan Cotting Clemente '78
 Marsha L. Clemmons '84
 Mary E. Clinton
 Anna M. Cognetto
 Eli B. Cohen '77
 Kenneth & Patricia Colanero
 Julie Triller Cole '83
 Madaline Alberico Cole '90
 Marie Tedesco Cole Wiener '85
 Karen A. Coleman '73
 Lynne Cushing Colley '82 &
 Michael J. Colley '80
 Computer Experts
 Ralph & Samantha Comulada
 Laura Imbimbo Condulis '83
 Clarence & Nadine Conklin
 Laura Yankowski Conklin '86
 Timothy J. Connors '96
 Joe & Geraldine Contursi
 Michael A. Cook* '77
 Jay M. Cookingham '76
 Cookingham's Catskill
 Woodcrafts
 Elliott A. Coons '64
 Coppola's Catering
 Joseph R. Coratti '81
 Melissa L. Corcoran '01
 William M. Cordaro '88
 Joseph P. Corrado
 John J. Costanzo '79
 Joseph E. Costine '86
 Edwin D. Council
 Christina Briglin
 Countryman '89
 Anna Michetti Courtney '85
 Helen M. Courtney '80
 Kathleen B. Courtney
 Michael J. Courtois '74
 Thomas J. Coutant '78
 Christine M. Craig '04
 Catherine A. &
 William G. Crane
 Kathleen E. Crapsier '74
 Scott A. Crawford '87
 Tamala Crespino
 Chris T. Cring '76
 Nancy Chaney Crist '85
 Dolores A. Croft '79
 Kathleen Korn Crohn '75
 Elsie Bilyou Crophier '85
 Jeffrey A. Crophier '80
 Joseph A. Crophier '75
 Darnell Sherow Cross '74
 Ronald Crovisier
 Dorothy E. Crowell '78
 Gary & Nancy Crucetti
 Edwina E. Cruz
 Hamlet A. Cuesta
 Edwin Cuevas
 Brenda Keller Cummings
 Cutter's Edge
 Suzanne Kirby D'Orazio '73
 Donald L. Daddario '67
 Robert F. Dahl '66
 Caroline Shaw Dakin '91
 Linda E. Daley '72
 Lisa R. Daley Meyers '96
 Karen Engles Dalley '76 &
 Edwin J. Dalley '78
 Carole Barmore Damico '79
 Michael M. Dapcic '70
 John J. Darcy '95
 John J. Darcy, Sr. '95
 Leo J. Darling
 Curtis C. Darragh '95
 Blen Lehigh Darrah '77
 Paul L. Daubman '72
 Michael A. Dauerer '91
 Delia Veltri Davi '79
 Davies Hardware
 Barbara Riley Davis '86
 Mary E. Davis
 Peter & Kay Davis
 Dazzles of Fishkill
 Robert G. De Santis '93
 De's Jewelers
 Peter B. Decker '76
 Marilyn Perry Dedrick '89 &
 David A. Dedrick '99
 Ronald J. Defrancesco '69
 Susan Piccone Degilio '84
 Maria T. Delcampo '79
 Matthew C. Delfico '00
 Kelly Niles DelSanto '83 &
 Eric John DelSanto '01
 Cheryl Veach Delvecchio '82 &
 John Delvecchio
 Neil J. Demaio '84
 Mary M. DeMichiel '73
 Dennis Dempster
 Barbara & Charles Dennis
 Susan Sanderson Denton '75 &
 Thomas G. Denton
 Scott E. Derby '70
 Michael J. Desautels '90
 Designs by Sher
 John M. Desmond
 Frank W. Desser
 Eric W. Deyo '71
 Lisa Jones Diblasi '86
 Joseph P. Dicapua '68
 Christine Halstead Dick '79

Duane H. Dicker '68
 Lawrence Dickinson
 Beverly M. Dimauro
 James N. Dimmick, III '75
 Bruce D. Dimmig '76
 Sarena Vitanza Dinapoli '81
 Dawn M. Dingee '88
 Doris Lindholm Dingee '85
 Joseph S. Dirago '75
 DLD Investigations
 Glenn A. Dochtermann '86
 Lisa Ferrari Dodaro '80 &
 Stephen W. Dodaro
 Kathleen Hogan Doherty '73
 Mary B. Dohrenwend
 Kenneth J. Doka
 Barbara Dolansky
 Sheryl Winship Dominguez '75
 John Dominick
 Alice Lynn Donaldson '87
 Mark R. Dondlinger '86
 John J. Donegan '01
 Thomas & Theresa Donovan
 Linda L. Doolittle '95
 Jeanne A. Double '79
 Eugene R. Dougherty, Esq. '66
 Cynthia Tompkins Doughty '67
 John W. Douglas '00
 Mary E. Doyle '99 &
 William J. Doyle
 Susan Mensler & Robert Doyle
 Dianne E. Drewes '71
 Mark J. Drozenski '84
 Cynthia Pallus Dubois '76
 Charles Duke
 Victoria Osborne Dumas '78
 Michael D. Dunagan '88 &
 Barbara A. Dunagan '77
 Annamay B. Duncan '75
 John & Julie Duncombe
 James M. Dunn '70
 Lauren O. Durbal
 Dutchess Dodge
 Roger A. Dykeman '80
 Phillip M. Eades
 Maryanne G. Eckelman '78
 Penelope C. Eells '98
 Egremont Country Club
 Margaret E. Ellmore '93
 Robert E. Ellsworth '67
 Stephen J. Emanuel &
 Selena L. Emanuel
 Jacqueline Feldborg Emslie '85
 Kent Eng '68
 Michael J. Englishby '85 &
 Dawn M. Englishby '93
 Ralph & Roseanne Esposito
 Donald M. Estes '73 &
 Lynn M. Estes '80
 Deborah A. Esteves '90
 Norma Chrystal Ettinger '79
 Ronald M. Evangelista '72
 Carol A. Fabiano '88
 Vincent Michael Fabiano '98
 Geraldine Fall
 Audrey A. Fanning '85
 Elizabeth Sutka Farkas '84
 Peggy Farrington
 Joseph E. Fasolino '81
 Denise Grassi Fauci '91
 Kevin Fedigan
 Jack N. Feldborg '77
 John A. Felicello '03
 Carmen Fernandez
 Patrick V. Ferrante '72
 Joan Ferreira '98
 Patricia A. Fineran '69
 Susan Ainsworth Finley '80
 Ann S. Finn '98
 Valerie Mangarillo Finning '88
 James A. Fino '68
 Lanette D. Fisher-Hertz '98
 Janice Totten Fitch '74 &
 John Fitch '74
 Robert B. Fitzpatrick, Jr. '81
 Robert J. Fitzpatrick '66
 Michael Flaherty
 Bruce Flesland &
 Catherine E. Poluzzi
 Sheree L. Flowers '00
 Yvonne Taylor Flowers '90
 Michelle McCaffrey Flynn '83 &
 William J. Flynn '78
 Betty A. Foley '75
 Lynette M. Forman '85
 Brad A. Forrest '78
 Ralph T. Forsythe '72
 Karen Miles Forte '75
 Brenda M. Forte-Miller
 Helen Mark Forward '75
 Timothy M. Fountain
 Joyce Ann Fouts '76
 Richard N. Frahm '70
 Patricia A. Francese
 Jesse J. Frank '00 &
 Rebecca A. Frank '00
 Barbara D. Franks '78
 Karen Altadonna Fredricks '91
 Elizabeth N. Freedman
 David J. Freeman '79
 Anne M. Friedland '85
 Laurie Anderson-Palmatier
 Friedli '75
 Friends of Marcus Molinaro
 Frontier Baskets
 Thomas P. Fryxell '74
 Dianne M. Funicello-Davis '87
 Dane A. Fury '67
 Jeffrey L. Futyma '84
 Rose Ann Gaetani '00
 Diana B. Gaetano '80
 Beverly M. Gaffney '82
 Delmos D. Gaier '74 &
 Terry H. Gaier '77
 Ethan E. Gallagher '83
 Joan Boughton Gallante '92
 Eileen A. Galligan '76
 Erika M. Gallipani '98
 Alphonse J. Gargano '97
 John L. Garitta '76
 Vincent A. Gamot '81
 Neil A. Garrison '76
 Paul K. Garrity '86 & Christine
 M. Garrity '97
 Clare C. Garvey
 Nancy J. Geer
 Alfred F. Genovese '82
 Donald & Roksolana Geramita
 Carrol Motley Jayne
 Gershkowitz '87
 Nancy Hilmar Geysen '78
 Joanna Giannos
 Spyridoula Giannos '05
 Dominick B. Giarraputo
 Joyce M. Gibbons '74
 Marybeth Monks Giesler '87 &
 William D. Giesler
 Joan Arra Giewat '81
 Susan S. Gilda '82
 Lynette M. Gildersleeve '77
 Marilyn Giliberti
 Nancy E. Giordano
 Sondra J. Giordano
 Steven F. Giovanniello '85
 Sylvester W. Giuliani '82
 Suzanne Asher Glancey '77
 Glenn W. Glasstetter '69
 Herb Goddard '75
 Katherine Maher Goetschel '82
 Clarissa M. Goins '90
 Jayson A. Goldberg '81
 Brad W. Goldhammer '78 &
 Joan W. Goldhammer '83
 Christina Staffa Goldman '95
 Kathryn Walsh Goldstein '67
 Paul Goldstein
 Jane M. Gomes '99
 Peter M. Gonzalez '72
 Patrick T. Goodall, Sr. '97
 Mr. David Goodman
 Catherine Z. Gorham '87
 Lisa J. Gosselin '90
 Suzanne Gould
 Sheree Bourdon Gover '97
 Gina Pennacchio Graboski '90
 Julianne Matrician Graffam '85 &
 Mark S. Graffam '95
 Elizabeth Graham
 David L. Gray '71
 Thomas R. Grayson '80
 Mary Waye Graziano '78
 Rose Graziano Krass
 Lynn M. Greco '92
 Judith A. Green '70
 Shannon M. Greenlese
 Robert A. Greenspan '91
 John D. Gregory '99
 Linda Crans Gregory '68
 Kathleen A. Greiner '73
 Madeline Fink Grey '74
 Gertrude L. Kniffin Griffin '63
 Patrick J. Griffin '98
 Stephen B. Griffiths '00
 Susan Wundt Grinberg '71
 Nancy A. Griswold '76
 Sharon Burns Grosse '74
 Mark C. Grunenwald '78
 James J. Guarnaccia '81 &
 Mary R. Guarnaccia '81
 F. T. Gudmundsen '69
 Jo Ann Brevetti Guerin '72
 Gina Torre Guerriero '92
 Geniene Aubry Guglielmo '79
 Steven H. Guptill '83
 Grace Concessi Haack '90
 Lisa M. Haering '96
 Roger F. Haight Jr. '04
 Christopher J. Haley '95
 Sandra Burger Halik '84
 Brian W. Hall '78 &
 Lynn A. Hall '79
 Eileen M. Hall
 Eileen M. Hallenbeck McCue '83
 Timothy H. Haller '86
 Johanna G. Halsey
 Lowell Handler
 Beth Ann Tritschler Hansen '75
 Chris Hansen
 Edna M. Hargrave '69
 Richard L. Harris '74
 Stephen J. Harrison '74
 Ms. Barbara J. Hart '91
 Richard J. Hart '85 &
 Janina L. Hart '99
 Lisa S. Hartrick '97
 Kimberley A. Haskins '84
 Howard H. Hatch '65
 Kathy Owen Haug '73
 Wendy L. Haumaier '98
 Susan Haun '91
 Patricia P. Haverkamp '77 &
 John G. Haverkamp, Jr. '76
 James R. Hayden, Jr. '70
 Aloysius J. Hayes '77
 Charles L. Heady '76
 Ronald A. Hearst
 Hillary E. Henderson '02
 Lorraine Johnson Heneka '82
 Martha J. Henion
 Jeffrey S. Hennessy '75
 Christina M. Henry
 Daren A. Henry
 Walter J. Herrmann '71 &
 Linda S. Herrmann '71
 Marianne DiMaggio Heston '73
 Diane Romano Heyer '91
 Philip & Sherry Hiatt
 Dawn M. Hickey '92
 Diane & Ronald Hicks
 Paul G. Higgins
 Roger P. Higgins '69
 Allison Vincitore Hill '75
 Kevin P. Hines '82
 Tami L. Hinnerschitz '95
 Carmen E. Hiraldo '92
 Peter R. Hlousek '67
 Linda Holt Hoag '73
 Susan P. Hochhauser
 Donna D'Olivio Hochlowski '74
 Ilona S. Hochmuth '86

Roland M. Hochmuth '86
 Charles P. Hodgart '95
 Theodora B. Hoe
 Jacquelin R. Hoffman '86
 James J. Holder '79
 Holland Pools & Spas
 Karen Fischer Holmes '68
 Marilyn C. Holsipple
 Giao T. Hong '84
 John P. Hopper '61
 Robert Horn '94
 Debra A. Hornbeck '74
 Roy J. Hornbeck, Jr. '88
 Barbara Sohr Horree '86
 Janet M. Horvat '77
 Diane M. Houghtaling '81
 Houlihan Lawrence Lavery
 Real Estate
 William J. House '83
 Gerard W. Houston &
 Josephine D. Houston
 Lynn C. Howard '75
 Henrietta Boozer Howse '74
 Raymond F. Hoyle
 HSBC Bank
 April S. Hubbard '92
 E. S. Hubbard, III '70
 Hudson River Adventures
 Hudson Valley Shakespeare
 Festival
 Amy Wakefield Hughes '82
 Rose Salvati Hughes '83
 Gary R. Humphrey '71
 Helen M. Hunger '62
 Maureen E. Hunter '90
 Judith Mulvaney Husted '86
 Ann D. Honey Imperatori '91
 Mary V. Imperatori
 In Style
 Mario J. Interrante '69
 Candace Rau Ireland '66 &
 Barry R. Ireland '65
 David L. Irwin '70
 Dawn Moshier Isaacson '81
 Arlene Hall Iuliano '79
 Helen T. Jackson '75
 Vincent C. Jaehnert '99
 Raymond B. Jennings, III '90
 Jerold Slate Attorney &
 Counselor At Law
 Joseph Giudice
 Jo Jo's Flower & Gift Shop
 Sandra Karge Jobson '89
 Trevor & Candace Johnson
 Christine Di Grandi Jones '75
 Elizabeth A. Jordan
 Carol York Joseph '89
 Brian M. Judge '77
 David A. Juras '85
 Todd R. Kaiser '78
 Brian J. & Joanne Pinello Kaley
 David A. Kallop '77
 Virginia T. Kampa
 George V. Kampfer '70
 Kimberley T Kane '95
 Sandra L. Kane '77
 Karen Drew Kardas '75 &
 Stanley L. Kardas '77
 Marilyn J. Kay
 Ken Kearney
 Patricia C. Kearney '81
 Patricia J. Keating '89
 Laura Kellar
 Alice R. Kelleher
 Colleen Lee Kelly '85
 Glen P. Kelly '90
 Louise Corbett Kelly '79
 Stephen Kemp '02 &
 Susan A. Kemp '84
 Paula Kennedy '93
 Addie F. Ketchum '92
 J. Michael Keupp '69
 Jeanette Sokolowski.
 Kihlmire '73
 Gregory V. Kihlmire '75
 Kristine K. Kihlmire '87
 Mary Kennett Kilcer '72
 Maureen R. Killoran '77
 Dale E. King, Ph.D. '75
 Michael King '89
 William R. Kinney '87
 Maryanne P. Kinsella '79
 Joseph P. Kinsella
 Cynthia M. Kirk '98
 Ms. Frances J. Kirk '74
 William J. Kistner, Jr. '99
 Jane Harrad Klump '67
 Raymond G. Knauss '79
 Barbara A. Knickerbocker '72
 Robert J. Knippler '88 &
 Kathleen A. Knippler '88
 Patricia C. Kobelt
 Albert & Kathleen Koch
 Victoria Lattimore Kolb '79
 Carolyn Bacchi Kopchik '83
 Tammy P. Kopilak
 Leszek & Sophie Koralus
 Michael Korda
 Paul J. Korykora
 Raphael H. Kosek
 Dawn Macisaac Kostenko '75
 Susan K. Kostenko '89
 Nelson Kranker
 Jay Krass &
 Rose Graziano Krass
 Joan A. Krauer '75
 Constance Schramm Krell '85
 John J. Kudzia '73
 Martin Kurkhill
 Esther Louthan La Vera '87
 Diane M. Labenski '96
 Trudy-Ann Lackner '82
 Carole Lacolla '95
 Alan C. Laforge '89
 Susan LaFosse
 M. William Lahey
 Patrick Lahey
 Mr. Richard W. Lahey '64
 Theresa Lahey
 Patricia G. Lamanna
 Patricia L. Lambert '02
 Michael H. Lanari '83
 Paul J. Lanari '71
 Ronald M. Lane '75
 Kevin J. Lang '72
 Russell G. Lang '82
 Michael R. Lapp '73
 Donna Swenson LaRose '71
 Frank S. Lasko '72
 Sharon Plimley Lastowski '84
 Renee J. Lathrop
 Anthony A. Lattanzio '79
 Law Offices of Robert J.
 Zaccheo, Jr.
 Catherine M. Lawrence '72
 Betty Gallagher Lease '80
 Nancy Lebron
 Anthony Lee
 Ho-Ming Lee '92
 Benjamin Leeds '73
 Carole A. Lehrer '00
 Alice J. Leigh '75
 Gazella A. Lejuene '01
 Todd H. Leland '88
 Martin H. Lennox '02
 Anita L. Lester '80
 William R. Lewis '73
 Donald J. Liberti &
 Rita F. Liberti
 Steven M. Licker '77
 Michele M. Lieberman '86
 Sharon E. Lieberman '74 &
 Jerry Lieberman Jr.
 Irene D. Light '92
 Gary J. Lindstrom '60
 Judith Brenner Linville '66
 Cody Merritt LiPuma '01
 Michael A. Liverani, Sr. '79
 Christopher M. Llanes '85
 Nancy M. Locicero-Hunter '89
 Patricia Donley Locker
 Keith Lockhart
 Nancy H. Lockhart '89
 James H. Lockwood '89
 Locust Grove
 Judith Perlik Loertscher '79
 Mary Ann Lohrey
 Patricia A. Longbard '96
 Sebastian Loscerbo '77
 Timothy W. Losee '77
 Loving Earth Studio
 LoVullo Deli Corp
 Penny Jones Lowe '83
 Joanne Calcagni Lown '85
 Christopher M. Luhmann '99
 Howell C. Lunn, Jr. '68
 Mary W. Lunt
 Linda Lewis Lurie '77
 Nancy Ring Luty '74
 Jeannine M. Lynch '84
 Larry L. Lynn '91
 Lyric Images
 Tammy MacBrien Downs
 Kay M. Mackey '73
 Maureen Lafalce Mackey
 Robert C. Madsen '91
 George R. Magloczki & Anna
 Toman Magloczki '88
 Robert E. Mahoney, Jr. '80
 Mahoney's At Dooley Square
 Kimberlee A. Mahusky '92
 Joan I. Makely '97
 Pamela A. Makenzie '73
 Linda A. Malave '00
 Richard A. Malboeuf
 James Malcolm '98
 Roberta T. Malkowski '75
 Yvonne R. Maloney '97
 Carolyn Corcoran Manca '66
 Gina Zaubi Mann '84
 Roseann Miraglia Manning '80
 William M. Manzi '71
 March Chiropractic
 Wendy Laible Marchant '87
 George & Karlene Maresco
 Benjamin & Mary Marguglio
 Denise Pastir Marinaccio '81 &
 Michael A. Marinaccio '83
 Kevin B. Markett '97
 Ronald A. Markowitz '93
 Virginia Palen Marks '86
 Vivienne Jones Marlowe '74
 Michelle Maley Marmo '75
 Eleanor K. Marr
 Carlo S. Marras '72
 Elke G. Marsh '95
 Carolyn E. Marshall '03
 John G. Marshall '70
 Richard & Susan Marshall
 Lorraine Louty Martin '73 &
 Kevin R. Martin '73
 Robert & Joyce Martin
 Charles T. Martino '73
 Barbara Martire '94
 Dana Towlsey Masullo '88
 Janet Mosher Matteo '80
 Linda C. Mattocks '71
 Charles F. Matula '89
 William M. Matwijec '80
 William A. Maurer '95
 Susan May
 Mark M. & Emily O. Mayes
 Nancy A. Mazzacone '76
 Richard & Jeanette Mazzarella
 Patricia A. McCaffrey
 Amy Holtz McCann '96 &
 Terence R. McCann '97
 McCann-Caven Golf Course
 Ann McCarthy '88
 Janet E. McCarthy '91
 Mark E. McConaughay
 Pamela Renaud McCourt '68
 Denise Hammell McCoy
 Gudrun L. McDonough '90
 Jeffrey C. McDonough '85
 James & Madeline McDougal
 Gina Santiamo Mcdowell '86
 Eileen G. McEnery '77
 Katri McEwen
 James J. McGill '78 &

Susan S. McGill '84
 Bernard W. McGinnis '71
 Terrence J. McGinnis '69
 Jenny L. McGloin-Arnfield '02
 Kevin L. McGovern '77
 Robin Egan McIlmoyle '78
 Carole & Thomas McKee
 George J. McKeon '87
 Connie L. McLaughlin '70
 Edward V. McManus '83
 Timothy P. McManus '01
 Susan E. McRitchie '98
 Sonia F. McSpedon '76
 Susan Lieberman Mead '78
 Christine Hogan Meluch '87
 Victor J. Melville
 Patricia E. Merrill '97
 Merritt Books
 Stanley H. Mersand '70
 Frances D. Mersheimer '76
 David F. Mesnick '66
 Denise Meyer '73
 Paul G. Meyer '96
 Schuyler M. Meyer, III '69
 Lynn Martin Miceli '89
 Peter L. Michos '70
 Mid-Hudson Women's Network
 Milanese Restaurant
 Millbrook Winery
 Betty C. Miller '71
 Dolores Ward Miller '89
 Jane Walker Miller '72 & Scott
 L. Miller '72
 Joseph Miller
 Lee J. Miller, Jr. '98
 Martin M. Miller '72
 Scott L. Miller '72 &
 Jane A. Miller '72
 Linda Drumgold Milligan '87
 Mirsini Milner
 Robin V. Mishik-Jett '83
 Joan N. Miskell '97
 John & Lila Mitchell
 Steven B. Mitzman '70
 Coleen Hill Mizgier '94
 Joann Mizzi '93
 Marcus J. Molinaro '01
 Katherine A. Moloney '79
 Momma's Towing Service
 Carole C. Monkowski '78
 Peter P. Montera '76
 Donna Mayer Moore '95
 Margaret Blum Moore '76
 Mary P. Moran '74
 Mary L. Morano '78 &
 Michael R. Morano '74
 Susan Van Pelt Morrill '82
 Henrietta T. Mountz
 Arra M. Mowry '86
 Darleen M. Moyal '73
 Raeanne Moyses '70
 Christine Mullen Kreamer '72
 Annie Mullen Patrick '71
 William A. Muller '69
 William L. Muller '95
 Brenda M. Munson '83

Michele Tompkins Murasso '87
 Peter T. Murphy '79
 Terence M. Murphy '84
 David F. Murray '79
 Glenn E. Murray '77
 Marcia A. Murray '77
 Frank J. Muthig '80
 Mariano T. Muyot '72
 David W. Myers '99
 Evelyn M. Myers
 Jean Betro Mykytenko '85
 Franklin W. Navarra '63
 Wayne A. Neckles '81
 Sandra E. Negron
 John A. Neilson '97
 Marlene K. Nelson '74
 Patricia E. Nelson '74
 William F. Ness '87
 Barbara Boye Neumann '92
 Barbara Newman '98
 Kathleen Henry Newton '78
 Brian C. Nichols '92
 Margaret Gruner Nichols '82
 Robert Nicolette
 Joan Valentino Nies '67
 Jeffrey M. Ninnie '74 &
 Karen A. Ninnie '74
 Margaret M. Nolan '78
 Erika Alexy Noll '83
 Margaret A. Noll '71
 Paul R. Norton '72
 Theresa M. O. Thomas '74
 Michael R. O'Halloran '89
 Aileen W. O'Hara '81
 Sonia Grace O'Neil '77
 Debra A. O'Reilly '95
 Christopher J. O'Riley '95
 Gerard P. O'Shea '64
 Theresa A. O'Shea '74
 Paul W. Oakley '74
 Kathy Taylor Odak '79
 Catherine Roche ODell '75
 Maureen Olfati '99
 Jon A. Olson '72
 Linda Auchmoody Orton '83
 Janet & Matthew Orwick
 Christopher J. Osika
 Paul J. Ostachowsky '79
 Christopher C. Osuanah
 Zsuzi C. Oszip '74
 Leonard J. Ott '69
 Gerald & Esther Ottaway
 Caterina Pace '03
 Anthony & Pamela Pacione
 Janice Hazelton Paduano '96
 & Ronald L. Paduano '98
 Ben & Marion Paganelli
 William & Helen Page
 Dominick C. Pagnotta, Jr. '68
 Paino's Towing and Recovery
 Steven D. Painter '78
 Mary Tornatore Palazzo '85
 Louise A. Palma '94
 Marguerite T. Palmore '83
 PaPa Joe's Diners
 Richard J. Papesca '72

Michael A. Paretto '63
 Teresa Reynolds Parker '88
 Susan M. Parrella '76
 Partners in Massage
 Regina Brown Pasco '75
 Carl W. Pascoello '02
 Victoria K. & James Passikoff
 Gregory C. Pattenaude '77
 Geoffrey D. Patterson
 Andrea M. Paustian '91
 Ronald E. Pecoraro '72
 Joseph M. Pedro, III '91
 Ronald G. Peek '67
 Elaine Brown Pelech '83
 Patricia Mattia Peluso '80
 Patricia L. Pendergast '90
 Margaret A. Pepper '87
 Rosemarie M. Perillo '86
 Anthony P. Perrotta, III '77
 Pete's Famous Restaurant
 Gerald T. Peters '67
 Mariel Omalley Petronella '84
 Anne Lafayette Petrosky '78
 Louise Memdillo Pfaffenbach '76
 Peter A. Phipps
 Phyllis Mort Jewelry
 Judith Garlando Piazza '70
 Michael J. Piccone '88
 Natli R. Pinnock
 Maria Pistritto '91
 Eleanore V. Pitcher '73
 Edward L. Pittman '80
 Fred A. Policastri '63
 Jeanne Pomarico
 Mary Jane Pompa '89
 Vicki Hatsios Portellos '95
 Poughkeepsie Galleria Mall
 Brian D. Powers
 Camile Price
 Roberto Privitera '94
 Gary S. Privratsky '93
 Janine L. Protzman '86
 Michelle Puletz '92
 Richard P. Quigley '72
 Jodi A. Radassao '86
 Mary A. Ramaglia
 Edmund J. Ramsey '93 &
 Michelle Ramsey '94
 Kathleen Wasilko Ramundo '86
 Richard M. Rang '78
 Jayshree Ranka '87
 Alida Ransom
 Maureen T. Rant '82
 Craig A. Raymond '74
 Red Doe Studios
 Jacqueline McDonnell Reid '85
 Patricia Vitarbo Reilly '83
 Scott & Cindy Reimuth
 Charles & Nancy Reinhardt
 Eric R. Reisman '00
 Renner's Creative Celebrations
 James C. Reynolds '84
 Michael J. Reynolds '81
 Rhinebeck Aerodrome
 Rhinebeck Artist's Shop
 Rhinebeck Wine & Liquor

Rosemarie Dudek Rice '83
 Gail M. Richardson '78
 Glenn M. Richardson '73
 Joanne Potenza Richardson '69
 Andrew C. Rieser
 Martha Knapp Rifenburg '78
 Andrea Coniglio Rinaldi
 Debra Knapp Rinaldi '84
 Clare Stritt Ring '75
 Barbara A. Ringwood '70
 River Station Restaurant
 Jill L. Rivers '96
 Sharon A. Rizzo '74
 Stephanie J. Roberg-Lopez
 Albert P. Roberts
 Catherine Connolly Roberts '73
 Frederick M. Robertson '82
 Michael R. Rock '79
 Robert J. Rockefeller '71
 Denise S. Rodriguez Clark '81
 Jean M. Roe '66
 Helen Dueber Romanino '70
 Doreen Scheer Roome
 Manuel D. Rosa
 Marie Palmer Rosa '82
 Nancy Rosa
 Edith & Barry Rosen
 Charlene Rosell Rosenberry '76
 Gladys Rosenfeld
 Elliot D. Rosenzweig
 Cheryl P. Ross '03
 Warren F. Rossman '70
 Roberta A. Rubenstein '76
 Edward R. Rubin '67
 Debra Ferrari Ryan '81
 Robert M. Rydell '86
 Barbara W. Rymarczyk '79
 Robert S. Sabini '99
 Gilbert & Frances Saez
 Durinda R. Sagendorph '76 &
 Dewitt Sagendorph '68
 Marylee A. Saglibene '80 &
 Paul J. Saglibene '80
 Saland For Senate
 Lorraine Scull Salmon '84
 Sarum
 Brett T. Saso, Sr. '84
 Joseph A. Sassone '65 &
 Linda Sassone
 Paul A. Scalpi '77
 Deborah Whiteley Scardaci '75
 Louise C. Scarrone '98
 Barbara J. Schaefer '93
 Cheri L. Scharff '92 &
 Daniel G. Scharff '93
 Marion C. Schimanke '77
 Wilma C. Schmidt '79
 Carl F. Schneider '80
 Norbert E. Schneider '73
 Susan Woichik Schuck '80
 Paul R. Schule, Jr. '70
 Mary Ann Schuler
 Schultz Painting
 Kathy Okeefe Schwager '84
 Stephen L. Scofield '70
 Mr. Ronald J. C. Scorsone '75

Rhea L. Scott '00
 Russell R. Secor '77
 Henry Sehne '79
 Joan M. Seifts '69
 Gery & Mary Seimon
 Gilbert J. Seligman
 Linda Sutton Sella '71
 Ronald W. Sella '70
 Pamela Vosler Selover '81
 Karen Serino Senft '70
 Dianne Spinski Serkowski '64
 Sew N Vac
 Linda Frank Sewell '76
 Theresa Thomas Shaker '82
 Ben A. Shealey '84
 Robert P. Sheehan '76 &
 Maureen Sheehan
 Sue A. Sheehan '78
 Charles J. Sheerin '82
 Martha M. Siegmund '80
 Richard J. Siegmund '86
 Edna Klein Silber
 Linda M. Silkworth-Doty '80
 Edward & Sheila Silverman
 Mark D. Simmons '80
 Patricia A. Simone '77
 Lewis J. Sims '66
 Kay J. Sipperley '77
 Mr. Christopher John Slattery '00
 Marcia Jolly Smith '70
 Mary B. Smith '98
 Jacqueline D. Smith-Moshier '79
 Mark A. Snyder '99
 Cheryl Teneyck Soencksen '69
 Solar Stamps
 Michael J. Soltish '72 &
 Virginia J. Soltish '72
 Zbigniew P. Soltysiak '88
 Southlands Foundation
 Judy A. Spielmann '77
 Elizabeth Strout Spira '84
 Marlene Vetra Staffa '91
 Richard C. Stalker '69
 Mark A. Stalter '85
 Richard P. Stanton '73
 Jean M. Starpoli Benkert
 Steed Real Estate
 Kenneth A. Stephens '97
 Jody T. Sterling
 Carol D. Stevens
 Ellen Rouge Stevens '88
 William R. Stevens '82
 Lynn Murawa Sticker '86
 Mary Welsh Still '73 &
 Stanley G. Still, Jr. '67
 June Swenson Stimpson '81
 Jeanne Bartles Stirzel '81
 Stop & Shop
 Michael J. Strong '69
 Mildred F. Sturcken '71
 Janelle A. Styles
 John P. Sullivan '72
 Sunfleur's Jewelry Designs
 Frances Place Sutherland '75
 Tara Sweet-Flagler
 Theresa M. Sweezey '71
 Thomas J. Swierczek '74
 Taconic Press
 Hebba B. Taha '03
 Mark A. Takacs '72
 Hollice Hanna Tallman '68 &
 Richard D. Tallman '69
 Raivo Tamm '60
 Miriam Papele Tannen '76
 Mr. Michael W. Tardio '01
 Gail Matteo Tassarotti '77
 Karin Stanulwich Taylor
 James W. Teed '79
 Catherine Greene Tegmeier '84
 Yvette Temple Terrapin
 Danielle T. Terwilliger '82
 M. Douglas Terwilliger '70
 Maria F. Theodoseau '68
 Caren Cruger Thomas '78
 Thorton's Service Station
 Ronald A. Tice '68
 April M. Tiffany '66
 Dolores Castano Tillou '88
 Timely Signs of Kingston
 Andy Tkazyk, Jr.
 Joseph V. Tomaszewski '97
 Judy Sobel Toonkel '78
 Virginia Lowe Tortoso '68 &
 John A. Tortoso '67
 Gertrude E. Trani '72
 Salvatore J. Trapani '70
 Ms. Betty Vantassell Traudt '75
 Janice H. Tremper '95 &
 John L. Tremper '71
 Michael P. Tremper '76
 Richard Trent
 Sally Sillings Tresser '83
 Eugene J. Trifilo '98
 Edward L. Trojan '87
 Christine Trusz
 Joanne Tuthill '78
 Norman J. Tyler '67
 Susan Smith Tyler '80
 Susan Pepper Tyler '90
 Marilyn V. Udani
 Kenneth L. Underwood, Jr. '90
 Marie Diuglio Underwood '82
 Elizabeth Van Keuren
 Stevan L. Van Keuren '97 &
 Mary L. Van Keuren '94
 Yvonne R. Van Tassel '93
 Genemarie B. Van Wagner '75
 Johannes A. Vanderlee '96
 Karen A. VanHouten '94
 Joan M. VanVoorhis '77 &
 Raymond P. VanVoorhis '78
 Mareve Hughes Vanvoorhis '74
 Ansamma Varkey
 John W. Varricchio '63
 Vassar College
 Robert K. Vaughan '82
 Eleanor Mahoney Veltre '87
 Tony & Nancy Venditti
 Willis Vermilyea '66
 Thomas L. Viani '78
 Alfred J. Villareale '91
 Virginia F. Villegas '79
 Tamra Owens Villmore '80
 Phyllis A. Viola
 Visual Inspirations
 Gerald R. Vittone '88 &
 Linda B. Vittone '98
 Nancy Gargaro Vodrazka '88
 John J. Voelker '73
 Laurie J. Vogel '86
 Arthur G. Von Preising '94
 Diane Silano Vuole '86
 Vivian Y. Wadlin
 Steve & Deborah Wagner
 Dennis E. Walden '71
 Paula Silvestri Walker '68
 Wallace and Wallace, Attorneys
 Gregory A. Walsh '87
 James & Susan Walsh
 Gordon & Maria Walton
 Alicia Kallas Wanish '89
 Jan M. Ward '01
 Norma Caccoma Washburn '69
 & Richard C. Washburn '69
 Toni V. Watterson '85
 Pearl L. Waxman '69
 Walter U. Weber '60
 Francis M. Weida
 Katherine Newman Weir '78
 Kelly H. Weisbecker '99
 James & Carol Wellock
 Gloria E. Wenk
 Mary Werner '83
 Tay West
 Barbara Ringwood Westcott '72
 Ann Marie L. Westermann '85
 Laura Pelton Wetzel '80
 Elizabeth J. Whalen
 John P. Whalen '71
 Nancy Yarema Wheeler '65
 Jessica Mancuso White
 Gloria A. Whiteley-Magrath '71
 Shannon L. Whitney '02
 Francis J. Whittle
 Jeffrey G. Willets '78
 Robert R. Willets '63
 Brian J. Williams '74 &
 Janice A. Williams '83
 Leigh E. Williams
 Newton T. Williams '74
 Mark R. Willmer '83
 Glen R. Willoughby '86
 Gregory J. Wilson '84
 Martin P. Wilson '67
 Duane L. Witherspoon '88
 Teresa Putrino Wolfson '87
 Marlene Brunner Wood '86
 Louise T. Woodcock '73
 Michael & Ellen Woods
 Joseph A. Wrafter '86
 Wayne G. Wright '69
 WT Garner Engine Company
 No. 1
 Cheryl Every Wurtz '77
 Marianna F. Wynn '92
 Stefan J. Yablonsky, Jr. '97
 Judy B. Yarochowicz '96
 Suzanne Wamimont York '80
 Albert D. Young '79
 Anthony Yurchuk
 Mary Yeskatalas Zaitz '80
 Robert J. Zasso
 Joseph A. Zeleznik '90
 Marion Briggs Zimmer '76
 Zimmer Brothers
 Barbara J. Zuccarello '78
 Irene F. Zwetchkenbaum '75

CLASS GIVING

1960

Anthony V. Campilii
 Virginia DiSantis-Campilii
 Robert D. Ferris
 David P. Fouts
 Peter Idema, III
 Gary J. Lindstrom
 Raivo Tamm
 Walter U. Weber

1961

Harlan W. Chapin, Jr.
 Pasquale E. Ferrante
 John P. Hopper

1962

Helen M. Hunger

1963

Gertrude Kniffin Griffin
 Lawrence J. Hannigan
 Franklin W. Navarra
 Michael A. Paretto
 Fred A. Policastro
 Fred W. Schaeffer
 Dwight M. Townsend
 John W. Varricchio
 Robert R. Willets

1964

David L. Battistoni
 Elliott A. Coons
 Richard W. Lahey
 Gerard P. O'Shea
 Betsy Short Seaman-Brown
 Dianne L. Spinski Serkowski

1965

Eleanor Decker Bramley
 Robert Clearwater
 Anthony J. DiMaso
 Karen A. Galloway
 Howard H. Hatch
 Barry R. Ireland
 Joseph A. Sassone
 Nancy T. Yarema Wheeler
 David L. Winters

1966

Lester C. Alnwick, Jr.
 Kathleen Bartles
 Robert F. Dahl
 Vincent J. DiMaso
 Eugene R. Dougherty

Toni M. Emery
Robert J. Fitzpatrick
Candace Rau Ireland
Judith Brenner Linville
Carolyn Corcoran Manca
Patricia Probst Marchetti
Bruce K. Mason
David F. Mesnick
Susan Lucy Moore
Gary R. Palmer
Robert B. Podris
Jean M. Roe
Lewis J. Sims
April M. Tiffany
Willis Vermilyea

1967

Charles A. Ahrens
Trevor C. Blackett
Margaret Flynn Britton
Kristine S. Bush
Duane A. Calvin
Donald L. Daddario
Joan Volino DiMaso
Cynthia L. Tompkins Doughty
Robert E. Ellsworth
Dane A. Fury
Kathryn V. Walsh Goldstein
Peter R. Hlousek
John F. Kermashek
Jane Harrad Klump
Nona S. Lynch
Joan Valentino Nies
Ronald G. Peek
Gerald T. Peters
Edward R. Rubin
Stanley G. Still, Jr.
John A. Tortoso
Norman J. Tyler
Martin P. Wilson

1968

Thomas H. Allen
Elizabeth P. Gilbert Allers
Mary G. Bagley
Charlotte L. Hubbard Ballinger
Edward W. Biro, II
Ralph M. Dean
Joseph P. Dicapua
Duane H. Dicker
Christian W. Ecker, Jr.
Kent Eng
James A. Fino
Linda M. Crans Gregory
Peter W. Hardin
Karen M. Fischer Holmes
Robert S. Lumb
Howell C. Lunn, Jr.
Pamela Renaud McCourt
Dominick C. Pagnotta, Jr.
Frederick Pizzuto, II
Dewitt Sagendorph
Hollice Hanna Tallman
Maria F. Theodoseau
Ronald A. Tice
Virginia A. Lowe Tortoso
Paula A. Silvestri Walker

1969

Paul D. Adams
Barbara L. Baldwin Marx
Louis J. Bergman
Cheryl C. Bradley
Susan E. Buck
Frederic M. Cantor
Ramona J. Carlstrom
Janet D. Chlystun Champlin
Ronald J. Defrancesco
Patricia A. Fineran
Glenn W. Glasstetter
E. T. Gudmundsen
Edna M. Hargrave
Roger P. Higgins
Mario J. Interrante
Carole Johnson
J. Michael Keupp
Richard T. Matthews
Terrence J. McGinnis
Schuyler M. Meyer, III
Ronald T. Mullahey
William A. Muller
Michael J. O'Dell
Leonard J. Ott
Salvatore A. Potenza
Joanne L. Potenza Richardson
William J. Ryan
Joan M. Seifts
Yvonne K. Jackson Sewell
Cheryl A. Teneyck Soencksen
Richard C. Stalker
William R. Steinhaus
Michael J. Strong
Richard D. Tallman
George J. Vrba
Norma J. Cacomma Washburn
Richard C. Washburn
Pearl L. Waxman
Wayne G. Wright

1970

Linda C. Riess Adams
Joann E. Balassone
Gary J. & Pamela Barrack
Sanford J. Blaze
Robert G. Boolukos
George S. Brown, Jr.
James R. Campion
Maureen V. Carroll
Patrick A. Ciferri, Jr.
Michael M. Dapic
Scott E. Derby
James M. Dunn
Richard N. Frahm
Marlene M. Galow
Judith A. Green
James R. Hayden, Jr.
E. S. Hubbard, III
David L. Irwin
George V. Kampfer
John G. Marshall
Connie L. McLaughlin
Stanley H. Mersand
Peter L. Michos
Steven B. Mitzman

Raeanne Moysey
Judith A. Garlando Piazza
John J. Quinn
Barbara A. Ringwood
Helen F. Dueber Romanino
Warren F. Rossman
Paul R. Schule, Jr.
Stephen L. Scofield
Ronald W. Sella
Karen A. Serino Senft
Marcia A. Jolly Smith
M. Douglas Terwilliger
Salvatore J. Trapani
Sandra J. Pretal Troccia
Rocco T. Veronesi
Michael G. Visconti

1971

Sarluta E. Anderson-Davis
Elizabeth P. Ashline
Michael J. Barrett
Donald T. Bartles, Jr.
Lynn M. Digilio Berkley
Dennis M. Dengel
Eric W. Deyo
Dianne E. Drewes
Henry P. Fuhrmann
David L. Gray
Susan E. Wundt Grinberg
Walter J. Herrmann
Linda S. Herrmann
Alice R. Hollinbeck
Christina M. Houghtaling
Gary R. Humphrey
Paul J. Lanari
Donna M. Swenson LaRose
William M. Manzi
Linda C. Mattocks
Bernard W. McGinnis
Betty C. Miller
Michael F. Minogue
Annie Mullen Patrick
Margaret A. Noll
John H. Ochs
Robert C. Rawls
Robert J. Rockefeller
Linda M. Sutton Sella
Mildred F. Sturcken
Theresa M. Sweezey
Nancy Loatman Thomas
Daniel J. Valentine
Dennis E. Walden
John P. Whalen
Gloria A. Whiteley-Magrath

1972

Susan L. Gotthardt Adams
Dennis N. Bakoledis
Frank D. Bell
Leonard H. Bloomer
Susan J. Triller Bremiller
Gudrun Friton Christman
Linda E. Daley
Paul L. Daubman
Ronald M. Evangelista
Patrick V. Ferrante
Ralph T. Forsythe

Peter M. Gonzalez
Jo Ann Brevetti Guerin
Warren E. Johnson
Mary Kennett Kilcer
Barbara A. Knickerbocker
Frank W. Kotzur
Kevin J. Lang
Frank S. Lasko
Catherine M. Lawrence
Carlo S. Marras
Jane Walker Miller
Martin M. Miller
Scott L. Miller
Christine Mullen Kreamer
Mariano T. Muyot
Kenneth J. Nicolosi
Paul R. Norton
Jon A. Olson
Richard J. Papesca
Ronald E. Pecoraro
Richard P. Quigley
Klara Sauer
Jeffrey G. Smith
Michael J. Soltish
Virginia J. Soltish
John P. Sullivan
Mark A. Takacs
Gertrude E. Trani
Barbara A. Ringwood Westcott
Franklyn E. Williams

1973

John V. Allers
Paul H. Berger, Jr.
Robert G. Brusie
Jerry G. Calvin
Timothy M. Carroll
Nancy E. Clark
Karen A. Coleman
Suzanne Kirby D'Orazio
Mary M. DeMichiel
Kathleen M. Hogan Doherty
Sadie Villain Effron
Donald M. Estes
John T. Finley
Kathleen A. Greiner
Timothy J. Haufe
Kathy M. Owen Haug
Marianne DiMaggio Heston
Linda Holt Hoag
Jeanette M. Sokolowski
Kihlmire
John J. Kudzia
Michael R. Lapp
Benjamin Leeds
William R. Lewis
Kay M. Mackey
Pamela A. Makenzie
Kevin R. Martin
Lorraine Louty Martin
Charles T. Martino
Denise M. Meyer
Darleen M. Moyal
Philip C. Peters
Eleanore V. Pitcher
Glenn M. Richardson, Esq.

Catherine A. Connolly Roberts
Norbert E. Schneider
Richard P. Stanton
Mary E. Welsh Still
Jeanne M. Valentine-Chase
John J. Voelker
Richard E. Whitted
Raymond J. Winchcombe
Louise N. Tamburrino
Woodcock

1974

Vivian P. Anella
Anna M. Schellace Beck
Jane M. Schuyler Bowler
Carmine M. Bruno
Deidre E. Burlon-Kandeel
Joseph S. Carfora
Christina M. Dowling
Centenaro
Scott G. Chase
Robert J. Church, III
Michael J. Courtois
Kathleen E. Crasper
Darnell A. Cross
Janice A. Sherow Fitch
John Fitch
Thomas P. Fryxell
Delmos D. Gaier &
Terry H. Gaier
Joyce M. Gibbons
Madeline E. Fink Grey
Sharon L. Burns Grosse
Richard L. Harris
Stephen J. Harrison
Donna M. D'Olivio Hochlowski
Debra A. Hornbeck
Henrietta J. Boozer Howse
Frances J. Kirk
Sharon E. Lieberman
Nancy Ring Luty
Vivienne M. Jones Marlowe
Mary P. Moran
Michael R. Morano
Marlene K. Nelson
Patricia E. Nelson
Jeffrey M. Ninnie
Karen A. Ninnie
Theresa M. O'Donnell Thomas
Theresa A. O'Shea
Paul W. Oakley
Craig A. Raymond
Sharon A. Rizzo
Colleen M. Callahan Sinon
Thomas J. Swierczek
Maree E. Hughes Vanvoorhis
John H. Westermann, Jr.
Brian J. Williams
Newton T. Williams

1975

Marie Aiello Bianco
Paul J. Brown
Charles A. Bucchioni
Catherine D. Bullwinkle
Kathleen Kom Crohn
Joseph A. Croshier

Susan Sanderson Denton
Karen R. DeRuyter
James N. Dimmick, III
Joseph S. Dirago
Sheryl A. Winship Dominguez
Annamay B. Duncan
Betty A. Foley
Karen Miles Forte
Helen Mark Forward
Laurie A. Friedli
Beth Ann Tritschler Hansen
Jeffrey S. Hennessy
Allison A. Vincitore Hill
Lynn C. Howard
Helen T. Jackson
Christine C. Di Grandi Jones
Karen Drew Kardas
Gregory V. Kihlmire
Dale E. King
Dawn E. Macisaac Kostenko
Joan A. Krauer
Alice J. Leigh
Roberta Topolsky Malkowski
Michelle Maley Marmo
Patricia A. McMaster
Catherine T. Roche ODell
Regina B. Pasco
Anthony J. Pucek
Clare T. Stritt Ring
Deborah A. Whiteley Scardaci
Ronald J. C. Scorsone
Jacqueline D Seidel
Frances A. Place Sutherland
Betty P. Vantassell Traudt
Genemarie Blum
Van Wagner
Michael A. Wright
Irene F. Zwetchkenbaum

1976

Wendy A. Bohlinger
Neil M. Brandon
Colin A. Britton
Timothy P. Carbary
Lynette Jerocimo Caroli
Jay M. Cookingham
Leonard J. Corcoran
Chris T. Cring
Karen J. Engles Dalley
Peter B. Decker
Bruce D. Dimmig
Carol A. Humes Dodge
Cynthia E. Pallus Dubois
Joyce Ann Fouts
Eileen A. Galligan
John L. Garitta
Neil A. Garrison
Nancy A. Griswold
John G. Haverkamp, Jr.
Charles L. Heady
Ann B. Kacur
William G. Love
Nancy A. Mazzacone
Sonia F. McSpedon
Frances M. DiMarco Mersheimer
Peter P. Montera

Margaret M. Blum Moore
Susan M. Parrella
Louise A. Memdillo
Pffaffenbach
Charlene A. Rosell Rosenberry
Roberta A. Rubenstein
Durinda R. Sagendorph
Jeffrey A Scott
Linda R. Frank Sewell
Robert P. Sheehan
Miriam B. Papele Tannen
Michael P. Tremper
Michael A. Van Wagenen
David B. Watts
Jennifer S. Westermann
Marion Briggs Zimmer

1977

Tamara J. Amundson
Edward R. Armstrong
Rita L. Banner
Martin S. Banyard
Mary W. O'Neill Belliveau
Marland Clayton Berghorn
Kathryn J. Bierman
Maria B. Bottini
Grete S. Carpenter
Eli B Cohen
Michael A. Cook*
Blen M. Lehigh Darrah
Jack N. Feldborg
Lynette M. Gildersleeve
Suzanne Asher Glancey
Patricia K. Pelland Haverkamp
Aloysius J. Hayes
Kimberly M. Keeley Henschel
Janet M. Horvat
Brian M. Judge
David A. Kallop
Sandra L. Kane
Stanley L. Kardas
Maureen R. Killoran
Steven M. Licker
Sebastian Loscerbo
Timothy W. Losee
Linda C. Lewis Lurie
John D. Marrine
Eileen G. McEnery
Kevin L. McGovern
Glenn E. Murray
Marcia A. Murray
Sonia A. Grace O'Neil
Gregory C. Pattenaude
Anthony P. Perrotta, III
Paul A. Scalpi
Marion C. Schimanke
Russell R. Secor
Patricia A. Simone
Kay J. Sipperley
Judy A. Spielmann
Gail Matteo Tassarotti
Mark P. Van Demark
Joan M. VanVoorhis
Thomas J. Visentin
Sally A. Toomey Weglinski
Robert N. Wiggan

Cheryl R. Every Wurtz

1978

Brian L. Agor
Christopher Albanese
Loretta Monaco Allen
Valerie Graff Alley
Bonnie L. Babcock
Stephen J. Beck
Jeanne A. Maloney Beckley
James L. Beretta
Karen L. Burgess
Frank F. Chase
Alice I. Corbo Chupay
Hildegard C. Alexy Cioffi
Joan E. Clemente
Thomas J. Coutant
Dorothy E. Crowell
Edwin J. Dalley
Victoria A. Osborne Dumas
Maryanne A. Garitta Eckelman
Brad A. Forrest
Barbara D. Franks
Nancy E. Hilmar Geysen
Brad W. Goldhammer
Judith L. Grabowski
Mary E. Waye Graziano
Mark C. Grunenwald
Brian W. Hall
Dorothy A. Hayward
Todd R. Kaiser
Paula L. Sheehan Kraus
Thomas H. Loeber
Timmian C. Massie
James J. McGill
Robin M. Egan McIlmoyle
Susan Lieberman Mead
Carole A. Chesnick Monkowski
Mary L. Morano
Kathleen E. Henry Newton
Margaret M. Nolan
Harold W. Oakhill
Steven D. Painter
Anne Lafayette Petrosky
Richard M. Rang
Gail M. Richardson
Martha Knapp Rifenburg
Matthew A. Salchert
Sue A. Sheehan
Caren Cruger Thomas
Judy Sobel Toonkel
Joanne Tuthill
Raymond P. VanVoorhis
Thomas L. Viani
Katherine A. Newman Weir
Jeffrey G. Willets
Barbara J. Zuccarello

1979

Louis D. Aliotta
John C. Alongi
Garifalia L. Anghelis
Lori M. Arnoldy-Londa
John M. Baron
Joanne M. Baron
Randolph C. Becker
Muriel S. Bixler

Mary L. Bleau
Mary B. Buglion
Kathleen A. Tierney Carter
Sherri A. Carufe
John J. Costanzo
Dolores A. Croft
Carole A. Barmore Damico
Delia W. Veltri Davi
Maria T. Delcampo
Christine M. Halstead Dick
Jeanne A. Double
Norma S. Chrystal Ettinger
David J. Freeman
Geniene M. Aubry Guglielmo
Lynn A. Hall
James J. Holder
Arlene Hall Iuliano
Louise M. Corbett Kelly
Maryanne Pattenau de Kinsella
Raymond G. Knauss
Victoria A. Lattimore Kolb
Anthony A. Lattanzio
Michael A. Liverani, Sr.
Judith Perlik Loertscher
Katherine A. Moloney
Peter T. Murphy
David F. Murray
Stephen J. O'Shea
Kathy Taylor Odak
Paul J. Ostachowsky
Michael R. Rock
Ruth A. Rossi
Barbara W. Rymarczyk
Eileen M. Saluga
Wilma C. Schmidt
Henry Sehne
Jacqueline D. Smith-Moshier
James W. Teed
Virginia F. Villegas
Beth W. Wright
Albert D. Young

1980

Ronald J. Adams
Michael A. Aiello
Lynda A. Wisdo Ball
Francine M. DeMarco Barrett
Maureen Murphy Bennett
James J. Brugger
Susan S. Lobotsky
Calafrancesco
Deborah G. Chalmers Carlough
Rhonda R. Cayea
Helen M. Courtney
Jeffrey A. Croschier
Lisa Ferrari Dodaro
Toni M. Doherty
Roger A. Dykeman
Lynn M. Estes
Susan D. Ainsworth Finley
Diana B. Gaetano
Thomas R. Grayson
Nancy J. Edmonds Hedman
Betty A. Gallagher Lease
Anita L. Lester
Robert E. Mahoney, Jr.
Roseann A. Miraglia Manning

Janet F. Mosher Matteo
William M. Matwijec
Frank J. Muthig
Patricia Mattia Peluso
Edward L. Pittman
Isnat H. Rabadi
Linda R. Rabadi
Marylee A. Saglibene
Paul J. Saglibene
Carl F. Schneider
Susan Woichik Schuck
Martha M. Siegmund
Linda M. Silkworth-Doty
Mark D. Simmons
Susan A. Smith Tyler
Tamra L. Owens Villmore
Laura De Garmo Voght
Laura J. Pelton Wetzel
David R. Wise
Suzanne K. Warnimont York
Mary A. Yeskatalas Zaitz

1981

Patrick M. Adams
Stacy E. Friel Anderson
Sheila Choate Appel
Amy C. Baker-Maile
Robert W. Beckmann
Wendy L. Poland Berger
Kenneth Y. Chapman
Etta L. Christiana
Joseph R. Coratti
Sarena L. Vitanza Dinapoli
Joseph E. Fasolino
Robert B. Fitzpatrick, Jr.
Vincent A. Garnot
Joan M. Arra Giewat
Jayson A. Goldberg
James J. Guarnaccia
Mary R. Guarnaccia
Diane M. Houghtaling
Dawn E. Moshier Isaacson
Patricia C. Kearney
Denise Pastir Marinaccio
Margaret M. Mckeon
Dean P. Michael
Wayne A. Neckles
Aileen W. O'Hara
Michael J. Reynolds
Denise S. Rodriguez Clark
Debra A. Ferrari Ryan
Elizabeth Leonard Saile
Logan A. Scott
Pamela M. Vosler Selover
June M. Swenson Stimpson
Jeanne W. Bartles Stirzel
Francine A. Crapa Waruch
Alan A. Zollner

1982

Charles J. Bloomer
Estelle Boskus
Kenneth A. Boyd
Andrew H. Brill
Betsy Hoberler Brockway
Sharon Coulter Burger
Maurice M. Burke, Jr.
Dawn M. Butsko Buzzelli

Cathleen W. Cassidy
Elmer H. Chamberlin
David O. Clark
Lynne M. Cushing Colley
Cheryl L. Veach Delvecchio
Beverly M. Gaffney
Alfred F. Genovese
Susan S. Gilda
Sylvester W. Giuliani
Katherine A. Maher Goetschel
Lorraine M. Johnson Heneka
Kevin P. Hines
Robert F. Hock
Amy Wakefield Hughes
Trudy-Ann Lackner
Russell G. Lang
Susan A. Van Pelt Morrill
Margaret Gruner Nichols
Jill P. Pelton
William E. Pelton
Delia A. Potenza-Makris
Maureen T. Rant
Frederick M. Robertson
Marie E. Palmer Rosa
Theresa J. Thomas Shaker
Charles J. Sheerin
William R. Stevens
Danielle Townsend Terwilliger
Marie L. Diuglio Underwood
Robert K. Vaughan
Debra M. Gee Weeks

1983

Mary F. Dougan Adamik
Brian P. Battistoni
James B. Brazee
Lorraine M. Leclerc Chaput
Julie A. Triller Cole
Laura L. Imbimbo Condulis
Kelly A. Niles DelSanto
Michelle C. McCaffrey Flynn
Ethan E. Gallagher
Joan W. Goldhammer
Mary S. Sievers Grosskopf
Steven H. Guptill
Eileen M. Hallenbeck McCue
William J. House
Rose R. Salvati Hughes
Carolyn M. Bacchi Kopchik
Michael H. Lanari
Kathryn T. Lee
Penny B. Jones Lowe
Michael A. Marinaccio
Tammy A. Mcallister
Edward V. McManus
Melinda L. Miller
Robin V. Mishik-Jett
Brenda M. Munson
Erika L. Alexy Noll
Linda Auchmoody Orton
Marguerite Townsend Palmore
Elaine M. Versaci Pelech
Patricia G. Vitarbo Reilly
Rosemarie I. Dudek Rice
Sally A. Sillings Tresser
Mary Werner
Janice A. Williams

Mark R. Willmer
Betty E. Wise

1984

Susan M. King Boersema
Andrew C. Bois
Dana R. Borquist
Susan E. Wagner Brumer
James D. Bryant
Elizabeth A. Murphy Catalino
Nicole A. Miller Cervone
Marsha L. Clemmons
Susan M. Piccone Degilio
Neil J. Demaio
Mark J. Drozenski
John P. Drusik
Elizabeth A. Sutka Farkas
Jeffrey L. Futyma
Sandra L. Burger Halik
Kimberley A. Haskins
Giao T. Hong
Christina Maselli Lysenko Howe
Sharon G. Plimley Lastowski
Tammy MacBrien Downs
Gina M. Zaubi Mann
Susan S. McGill
Terence M. Murphy
Mariel Omalley Petronella
James C. Reynolds
Debra J. Knapp Rinaldi
Marcia C. Rosenfeld
Lillian Whitford Sakkas
Lorraine L. Scull Salmon
Brett T. Saso, Sr.
Kathy L. Okeefe Schwager
Ben A. Shealey
Elizabeth C. Strout Spira
Catherine M. Greene Tegtmeier
Gregory J. Wilson
Jeffrey A. Zitz

1985

Richard P. Alexis
Gregory L. Bauer
Dennis R. Berkley
Marie Tedesco Cole Wiener
Anna Michetti Courtney
Nancy P. Chaney Crist
Doris Lindholm Dingee
Sheila M. Drew
Mary E. Kozlarek Duval
Jacqueline A. Feldborg Emslie
Michael J. Englishby
Audrey A. Fanning
Lynette M. Forman
Anne M. Friedland
Steven F. Giovannello
Julianne J. Matrician Graffam
Richard J. Hart
Cynthia A. Huber
David A. Juras
Colleen Lee Kelly
Constance C. Schramm Krell
Christopher M. Llanes
Joanne Calcagni Lown
Jeffrey C. McDonough
Edward J. Mills, III
Jean Betro Mykytenko

Mary J. Tornatore Palazzo
Jacqueline A. McDonnell Reid
Mark A. Stalter
Toni V. Watterson
Ann Marie J. Lazenka
Westermann

1986

Loretta M. Banyard
Janet M. Munier Barton
Laura J. Yankowski Conklin
Joseph E. Costine
Barbara D. Riley Davis
Lisa A. Jones Diblasi
Glenn A. Dochtermann
Mark R. Dondlinger
Mark R. Finkbeiner
Betty-Ruth Glenn Freer
Paul K. Garrity
Timothy H. Haller
Ilona S. Hochmuth
Roland M. Hochmuth
Jacquelin R. Hoffman
Barbara M. Sohr Horree
Judith A. Mulvaney Husted
Joanne E. Heady Kase
Michele M. Lieberman
Virginia A. Palen Marks
Gina W. Santiamo Mcdowell
Neil W. Millard
Arra M. Mowry
Rosemarie T. McCormack
Perillo
Janine L. Protzman
Jodi A. Radassao
Kathleen M. Wasilko Ramundo
Robert M. Rydell
Richard J. Siegmund
Lynn J. Murawa Sticker
Glen R. Willoughby
Marlene H. Brunner Wood
Joseph A. Wrafter

1987

Aimee L. Genin Adamec
Jay A. Bunt
Scott A. Crawford
Michael J. Colley
Alice P. Lynn Donaldson
Dianne M. Funicello-Davis
Carrol Motley
Jayne Gershkovitz
Marybeth Monks Giesler
Catherine Zadorecka Gorham
Maryann Ilyko Katz
Kristine K. Kihlmire
William R. Kinney
Lynne Arcari Kopac
Esther Louthan La Vera
Susan C. Lieberman
Wendy A. Laible Marchant
Judith A. Wright Martin
George J. McKeon
Christine L. Hogan Meluch
Linda A. Drumgold Milligan
Michele M. Tompkins Murasso
William F. Ness

Margaret A. Pepper
Jayshee Ranka
Jeffrey D. Richter
Joyce A. Robillard
Edward L. Trojan
Eleanor K. Mahoney Veltre
Gregory A. Walsh
Teresa L. Putrino Wolfson

1988

Paul D. Annetts
Patricia E. Merola Bayack*
Denise R. Biery
Leslie J. Graham Brusie
David L. Buchanan
Joanne Cameron
Deborah J. Busha Collyer
William M. Cordaro
Dawn M. Dingee
Michael D. Dunagan
Carol A. Fabiano
Valerie J. Mangarillo Finning
Roy J. Hornbeck, Jr.
Kathleen A. Knippler
Robert J. Knippler
Todd H. Leland
Anna M. Toman Magloczki
Dana M. Towles Masullo
Ann McCarthy
Teresa M. Reynolds Parker
Michael J. Piccone
Charles Reinhardt
Shirley Roberts-Brereton
Zbigniew P. Soltysiak
Ellen M. Rouge Stevens
Dolores Castano Tillou
Gerald R. Vittone
Nancy E. Gargaro Vodrazka
Duane L. Witherspoon

1989

Diane Sisson Baldwin
Gregory S. Benjamin
Lisa M. Boyes
Dana L. Carey-Gordon
Michael A. Cifone
Christina L. Briglin
Countryman
Marilyn Perry Dedrick
Kerry M. Garo
Sandra M. Karge Jobson
Carol A. York Joseph
Patrick J. Keating
Michael King
Alan C. Laforge
Nancy M. Locicero-Hunter
Nancy H. Lockhart
James H. Lockwood
Charles F. Matula
Lynn L. Martin Miceli
Dolores M. Ward Miller
Michael R. O'Halloran
Dominic K. Odescalchi
Mary Jane Pompa
Bradford D. Tree
Alicia Kallas Wanish

1990

Glenn A. Allen
Adam V. Austell
Jennifer L. Bruckert
Frederick J. Callo
Barbara A. Dolansky Cavalieri
Madaleine Alberico Cole
Michael J. Desautels
Deborah A. Esteves
Yvonne D. Taylor Flowers
Clarissa M. Goins
Lisa J. Gosselin
Gina M. Pennacchio Graboski
Grace A. Concessi Haack
Maureen E. Hunter
Raymond B. Jennings, III
Glen P. Kelly
Gail M. Kennedy
Gudrun L. McDonough
Patricia L. Pendergast
Susan L. Pepper Tyler
Kenneth L. Underwood, Jr.
Joseph A. Zeleznik

1991

Jason C. Arrick
John J. Barki, III
Rose E. Berkowitz Berek
Carla M. Carbone
Cindy A. Quintiliani Chesser
Carl A. Clark, Jr.
Pamela W. Clausen
Caroline E. Shaw Dakin
Michael A. Dauerer
Denise J. Grassi Fauci
Karen Altadonna Fredricks
Robert A. Greenspan
Barbara J. Hart
Susan Haun
Diane M. Romano Heyer
Ann D. Imperatori
Larry L. Lynn
Robert C. Madsen
Janet E. McCarthy
Andrea M. Paustian
Joseph M. Pedro, III
Maria Pistritto
Marlene P. Petra Staffa
Alfred J. Villareale

1992

Tyra A. Osterling Amendola
Sandra Archer
Elena S. Bove Argaluz
Richard A. Barrett
Joan A. Boughton Gallante
David S. Goldberg
Lynn M. Greco
Gina Torre Guerriero
Regina D. Telzerow Hichak
Dawn M. Hickey
Carmen E. Hiraldo
April S. Hubbard
Addie F. Ketchum
Colleen A. LaLonde
Ho-Ming Lee
Irene D. Light

Kimberlee A. Mahusky
Barbara Boye Neumann
Brian C. Nichols
Michelle Puletz
Lynn Rondeau
Cheri L. Scharff
Melissa McKay Siegel
Marianna F. Wynn

1993

Beverly M. Baranowski
Barbara A. Campbell Cafarelli
Beatrice M. Clarke
Robert G. De Santis
Margaret E. Ellmore
Janice A. Hilderbrand
Paula Kennedy
Ronald A. Markowitz
Joann Mizzi
Angel L. Munoz
Gary S. Privratsky
Edmund J. Ramsey
Barbara J. Schaefer
Janet D. Dececco Silvestri
Bret A. Urbanski
Deirdre J. Valla
Yvonne Robertson Van Tassel

1994

JoAnn M. Burns
Michael P. Carielli
Robert Horn
Shawn M. Macnish
Barbara Martire
Coleen T. Hill Mizgier
Judith N. Mathews Morris
Louise A. Palma
Roberto Privitera
Lisa D. Tavares
Karen A. VanHouten
Arthur G. Von Preising

1995

Suzanne B. Albright
Theresa J. MacBrien Bradley
Christine R. Brett
Charlanne M. Buckley
Kevin Clark
John J. Darcy, Sr.
John J. Darcy
Curtis C. Darragh
Linda L. Doolittle
Christina M. Staffa Goldman
Christopher J. Haley
Annemarie B. Blum Hennekens
Tami L. Hinnerschitz
Charles P. Hodgart
Kimberley T. Kane
Carole Lacolla
Deborah J. Lill
Elke G. Marsh
William A. Maurer
Donna V. Mayer Moore
William L. Muller
Debra A. O'Reilly
Christopher J. O'Riley
Vicki Hatsios Portellos

Janice H. Tremper
Maria T. Weinberg

1996

Jacqueline Bennett
Mark F. Burns
Mary Callahan
Timothy J. Connors
Lisa R. Daley Meyers
Lisa M. Haering
Diane M. Labenski
Patricia A. Longbard
Amy E. Holtz McCann
David W. McCready
Paul G. Meyer
Janice M. Hazelton Paduano
Brian J. Penney
Jill L. Rivers
Johannes A. Vanderlee
Judy B. Yarochowicz

1997

Michael E. Anderson
Gina Basile
Jennifer L. Dalton Burns
Alphonse J. Gargano
Christine M. Garrity
Patrick T. Goodall, Sr.
Sheree D. Bourdon Gover
Lisa S. Hartrick
Amy M. Kistner
Joan I. Makely
Yvonne R. Maloney
Kevin B. Markett
Patricia E. Merrill
Joan N. Miskell
John A. Neilson
Kenneth A. Stephens
Joseph V. Tomaszewski
Stevan L. Van Keuren
Stefan J. Yablonsky, Jr.

1998

Aileen Angel
Penelope C. Eells
Vincent Michael Fabiano
Joan Ferreira
Ann S. Finn
Lanette D. Fisher-Hertz
Erika M. Gallipani
Patrick J. Griffin
Wendy L. Haumaier
Cynthia M. Kirk
James Malcolm
Jacqueline A. McAdams
Susan E. McRitchie
Lee J. Miller, Jr.
Barbara Newman
Louise C. Scarrone
Mary B. Smith
Linda P. Tittmann
Eugene J. Trifilo
Linda B. Vittone

1999

Jorge A. Avila
Lorelei J. Bardes
Thomas A. Bauer

Kristopher W. Campbell
Frank M. Castella, Jr.
Anthony Denizard
Mary E. Doyle
Jane M. Gomes
John D. Gregory
Vincent C. Jaehnert
William J. Kistner, Jr.
Christopher M. Luhmann
Timothy F. Murphy
David W. Myers
Maureen Olfati
Robert S. Sabini
Mark A. Snyder
Howard Wadzuk
Kelly H. Weisbecker

2000

Mark Adams
Michelle R. Alessandro
Elizabeth M. Armstrong
Scott R. Bradley
Matthew C. Delfico
John W. Douglas
Sheree L. Flowers
Jesse J. Frank
Rebecca A. Frank
Rose Ann Gaetani
Stephen B. Griffiths
Carole A. Lehrer
Linda A. Malave
Windy M. Phelan
Eric R. Reisman
Rhea L. Scott
Karen J. Sinclair
Christopher John Slattery

2001

Benjamin J. Burruby
Melissa L. Corcoran
John J. Donegan
Gazella A. LeJuene
Cody S. Merritt LiPuma
Timothy P. McManus
Marcus J. Molinaro
Martha J. Crusie Russell
Michael W. Tardio
Jan M. Ward

2002

Hillary E. Henderson
Stephen Kemp
Patricia L. Lambert
Martin H. Lennox
Shannon L. Whitney Martin
Jenny L. McGloin-Arnfield
Donald Francis Minichino
Carl W. Pascoello
Cadence M. Robinson
Lisa Michele Wood

2003

Catherine Avallone
Ralph Richard Bosco
Karen Ann Cassaro
John A. Felicello
Ann E. Jackson
Kraig R. Kallmeyer

Carolyn E. Marshall
Caterina Pace
Cheryl P. Ross
Hebba B. Taha

2004

Sharon M. Amorosa
Erica M. Appel
Karen M. Ashline
Nicole M. Burton
Stephanie L. Clinton
David A. Collazo
Christine M. Craig
Haeley C. Derby
Benjamin D. Farrey
Richard J. Funk
Roger F. Haight Jr.
Kimberley G. Hall
Benjamin C. Hefferon
Lindsey H. Holliday-Egan
Natalya D. Jemison
Heather L. Marshall
Kevin A. McDonald
Chiron Otero
Lauren A. Prezzano
Beverly P. Rhamdas
Janet J. Schulze
Adam R. Smith
Jordan A. Velazquez
Brittany M. Watzka
Marcia E. Woolcock-Sydnor
Allen Lup-kun Yu

FOUNDATIONS, BUSINESSES, AND MATCHING GIFT COMPANIES

Absolute Auction & Realty
Accent Financial Group
Acropolis Diner
Action Capital Mortgage
Services
Adams Fairacre Farms
Adams Fences
Admiral Moving & Storage
Aladdin Laundermat
All Sport/Poughkeepsie
American Express Foundation
American Legion Arlington
Post 1302
Anheuser-Busch Foundation
Apple Greens Golf Course
Arlington Athletic Club
Arris Contracting Company
Artistry Design
AXA/The Equitable
Bard College
Bardavon Opera House
Bentley Trust
Berkshire Taconic Community
Foundation
Best of Scotland
Bill Walter Shows
Blue Star Industries
Boscobel Restoration
Bridgecom International
Brinckerhoff & Neuville
Broad Options
Gold Depot
Busy Bee Cafe
C.B. Strain & Son
Cadence Design Systems
Capital One Services, Inc.
Cardinal Hayes Home for
Children
Carvel Country Club
Catskill Hudson AHEC
CH Energy Group
Charlie Brown's Steakhouse
Chazen Companies
Chelsea Fire Company
Chevron-Texaco Texaco, Inc.
Christos Catering, Inc.
Committee to Elect
Adrian Anderson
Community Foundation of
Dutchess County
Computer Associates
Computer Experts
Coppola's Catering
Coppola's Restaurant of
Hyde Park
Coppola's Italian American
Bistro
Corbally, Gartland & Rappleyea
Cosimo's Trattoria & Bar
CR Properties Group, LLC

Culinary Institute of America	Houlihan Lawrence Lavery	Mid-Hudson Women's Network	Selective Insurance
Cumulus Broadcasting	Real Estate	Milanese Restaurant	Sew N Vac
Cutter's Edge	HSBC Bank	Millbrook Tribute Garden	Sherman Furniture
Paula Gene's Edge, Inc.	Hudson River Adventures	Millbrook Winery	Sodexo Marriott Services
D'Arcangelo & Company	Hudson United Bank	Millspaugh Furniture	The Southlands Foundation
Darhind Construction	Hudson Valley Balloon	Milor Enterprises	Stanco's Auto Body
Dashing Star Farm	Adventures	Noah's Ark	Steed Real Estate
Davies Hardware	Hudson Valley Federal	Minnewaska Lodge	Stop & Shop Companies
Dazzles of Fishkill	Credit Union	Mohonk Golf Course	Sucato Builders
DC Counseling Association	Hudson Valley Renegades	Mohonk Mountain House	Sun Microsystems Foundation
DC Supervisor's & Mayors Association	Hudson Valley Shakespeare Festival	Molloy Pharmacy	Superior Wireless
DCC Alumni Association	Hyde Park Lions Club	Momma's Towing Service	Taconic Press
DCC Association	Hyde Park Swim & Tennis Club	Morris Associates	Tallix Art Foundry
De's Jewelers	IBM	Mr. Todd's Gymnastics	TEG Federal Credit Union
Detlef Wolf	Image Pro	New Hamburg Engine	Terrapin
Dill's Best Building Center	In Style	Company No. 1	The Twaalfskill Club
DLI Investigations	J. J. Stanis and Company	New Horizons	Thomas Carvel Country Club
Dough Boy's Pizzeria	Jerold Slate Attorney & Counselor At Law	North River Abstract Corp.	Thorton's Service Station
DRA Imaging	J H Ketcham Hose Company	North Road Auto Parts	Thrifty Beverage Barn
Imaging Support Services, L.L.C.	Jo Jo's Flower & Gift Shop	Northrop Grumman	Timely Signs of Kingston
Dutchess County Agricultural Society	John Herbert Company	Northside Supplies	Top Notch Builders
Dutchess County Fairgrounds	Morgan Chase Foundation	Northwestern Mutual Life Foundation	Torsone Memorial Funeral Home
Dutchess County Municipal Historians Association	June & Aaron Gillespie Forum	NYSEG - NYS Electric & Gas	Town of Poughkeepsie 3rd Ward
Dutchess County Police Chief Association	Kaatsbaan International Dance Center	Olana State Historic Site	Town of Poughkeepsie Police Benevolent Association
Dutchess Dodge	Lahey's Midway Market	Old Drover's Inn	Town of Poughkeepsie Republican Committee
Dutchess Restaurant Equip.	Law Offices of Robert J. Zaccheo, Jr.	On Location	Transwestern Publishing
Dyson Foundation	Let's Get Personal	P.J. McGlynn's American Steakhouse	Troutbeck Country Inn & Conference Center
Edwin A. Ulrich Charitable Trust	Liscum, McCormack and VanVoorhis	Paino's Towing and Recovery	UHY Advisors
EFCO Products	Lo-Rac Fuel Corporation	Palace Diner	Umami Cafe
Egremont Country Club	Locust Grove	Pangia & Company, CPA, PC	URS
Fairview Fire Co.	Louis Greenspan Charitable Trust	PaPa Joe's Diners	Utica National Insurance Group
Fall Fittings	LoVullo Deli Corp	Partners in Massage	Vassar College
Fall Steel	M & T Bank	Passikoff, Heeney & Scott	Vergilis, Stenger, Roberts, Pergament & Viglotti
Fellenzer Engineering	Mahoney's At Dooley Square	Pawling Corporation	Verizon Communications
Fisher Machine Company	Majestic Underground	Pepsico Foundation	Volvo Cars of North America
Foam & Wash Express	March Chiropractic	Pete's Famous Restaurant	Wachovia Securities
Ford Motor Company	Mardi-Bob Management	Philips Semiconductor	Wachtel & Masyr, LLP
Friends of Marcus Molinaro	Marist College	Phoenix Beverages	Wallace and Wallace, Attorneys
Friends of The Helen Aldrich Recreation Park	Marshall & Sterling Insurance Company	Pizzeria Uno	Williams Lumber
Gellert & Klein, P.C.	MBIA Foundation	Pleasant Valley Volunteer Fire Company No. 1	WT Garner Engine Company No. 1
General Dynamics C4 Systems	McCabe & Mack	Poughkeepsie Galleria Mall	Zimmer Brothers
George A. Strba Charitable Trust	McCann Charitable Trust	Poughkeepsie Journal	
George T. Whalen, Jr. Foundation	McCann-Caven Golf Courses	Poughkeepsie Professional Fire Fighters Association	
Goal To Goal Soccer Academy LLC	McGrath, Basciani & Associates	Poughkeepsie Women's Republican Club	
GP Land & Carpet Corporation	Medtronic Foundation	Public Finance Associates	
Greater Southern Dutchess Chamber of Commerce	Mellon Gift Matching Program	Raytheon Corporation	
H.D.L. Associates, Inc.	Merrill Lynch	Reese Charitable Lead Trust	
Handel Foundation	Merritt Books	Rhinebeck Aerodrome	
Harmon & Castella Printing	Metropolitan Life Insurance	Rhinebeck Artist's Shop	
Hewlett Packard Company	Meyer Contracting	Rhinebeck Wine & Liquor	
Hickey-Finn & Company	Microsoft	River City Abstract LLC	
Hicksey's Auto Repair, Hicks, Robert Edward	Mid-Hudson Civic Center	River Station Restaurant	
Holland Pools & Spas, LLC	Mid-Hudson Consulting Civil Engineers Society	Riverside Bank	
Hollenbeck & Dailey	Mid-Hudson Valley Federal Credit Union	Robbie Manufacturing & Sales	
	Mid-Hudson Valley Land Surveyors Association	Rockefeller Financial Service	
		Rocking Horse Ranch	
		Rondout Electric	
		Saland For Senate	
		Schultz Painting	
		Section One	

DONATIONS OF GIFTS IN KIND

Karen Abramson
Deborah K. Ackerman
Acropolis Diner
Adams Fences, Inc.
Charles A. Ahrens '67
Naomi & Gene Anolick
Sheila Choate Appel '81
Apple Greens Golf Course
Artistry Design
Vincent W. Bakaitis
George & Phebe Banta
Bard College
Bardavon Opera House
Bill Walter Shows, Inc.
Judith Bleakley O'Neill
Pamela P. Blum
Wendy A. Bohlinger '76
Boscobel Restoration
Gold Depot-The Jewelry Store
Busy Bee Cafe
Calico JAM Studio
Larry Carr
Carvel Country Club
Catskill Mountain Farms
Barbara A. Dolansky Cavalieri '90
Charlie Brown's Steakhouse
Christos Catering, Inc.
Samantha Comulada
D. David Conklin
Susan H. Conrad
Contemporary Silver Jewelry
Cookingham's Catskill
Woodcrafts
Coppola's Catering
Coppola's Restaurant of
Hyde Park
Coppola's Italian American
Bistro
Judith A. Corbett
Culinary Institute of America
Linda Cupit Gibson
Dashing Star Farm
Dazzles of Fishkill
DCC Association
De's Jewelers
Patricia I. DeLessio
Anthony Denizard '99
Designs by Sher
Designs for Contemporary
Living
Detlef Wolf
Anne Dinardi
Barbara Dolansky
Tansukh & Savitri Dorawala
Robert & Susan Doyle
Egremont Country Club
Toni M. Emery '66
Essence of Luxury
F & B Porcelain
Peggy Farrington
David G. Ferenz
Linda Friends

Frog Park Herbs
Frontier Baskets
James T. Galluzi & Geraldine
Pozzi- Galluzi '74
Jacqueline Goffe-McNish
Hy & Elaine Greenspan
Bernard & Shirley Handel
Lowell Handler
Hands In Clay
Gail A. Hemosilla &
Louis J. Cesa
Janice A. Hilderbrand '93
Howard & Emily Himelstein
Hudson River Adventures, Inc
Hudson United Bank
Hudson Valley Balloon
Adventures
Hudson Valley Renegades
Hudson Valley Shakespeare
Festival
IBM
In Style
Kaatsbaan International Dance
Center
Ms. Laura Kellar
Kindred Spirits Crafts
Mary Koniz Arnold
Michael Korda
Anthony Lee
Let's Get Personal
Dani M. Leventhal
Barbara Liesenbein
Anthony B. Ligamari
Keith Lockhart
Locust Grove
Judith P. Loertscher '79
Loon Baskets
Loving Earth Studio
Lyric Images
Mahoney's At Dooley Square
Mr. George W. Mann
Mardi-Bob Management, Inc.
Marist College
John W. Mazzetti &
Judith A. Mazzetti '97
McCann-Caven Golf Courses
Linda Melton Mann
Mid-Hudson Civic Center
Mid-Hudson Women's Network
Milanese Restaurant
Millbrook Winery
Millspaugh Furniture
Minnewaska Lodge
Mohonk Golf Course
Mohonk Mountain House
Mothering Heights
Photography
Timothy F. Murphy '99
Jean Needy Roe '66
John & Mary Nolan
Olana State Historic Site
Old Drover's Inn
On Location
Orchard Park Recording
Out of the Woods

P.J. McGlynn's American
Steakhouse
Richard J. Palan
Mr. Richard J. Palan
Pampered You Natural
Bath & Body
Partners in Massage
Ms. Kelly D. Peduzzi
Pete's Famous Restaurant
Phyllis Mort Jewelry
Pizzeria Uno
Poughkeepsie Galleria Mall
Poughkeepsie Journal
Patricia L. Prunty
Red Doe Studios, LLC
Richard Reitano
Renner's Creative
Celebrations, Inc.
Rhinebeck Aerodrome
Rhinebeck Artist's Shop
Rhinebeck Wine & Liquor
River Station Restaurant
Stephanie J. Roberg-Lopez
Rocking Horse Ranch
Camilo Rojas
Carol A. Roper
Evelyn A. Rosenthal
Martha J. Russell '01
Diana Salsberg
Sarum
Klara B. Sauer '72 &
Heinz Sauer
Elayne Seaman
Sew N Vac
Yvonne K. Jackson Sewell '69
Amy Sherman & James Page
Silverman
Roger W. Smith
Solar Stamps
South Bay Jewelry
Southlands Foundation
George Stevens
Stephanie M. Stillwell
Sunfleur's Jewelry Designs
Tallix Art Foundry
Terrapin
The Twaalfskill Club
Thomas Carvel Country Club
Treasures of the Vine LLC
Marty & Ginny Triola
Marilyn V. Udani
Umami Cafe
Mary Louise Van Winkle
Ansamma Varkey
Vassar College
Visual Inspirations
Robert & Ann Marie Vitale
Vivian Y. Wadlin
Leigh E. Williams
Williams Lumber
Ann Winfield
Zimmer Brothers

DONATIONS TO THE CAPITAL CAMPAIGN

Richard P. Alexis '85
Rita L. Banner '77
Linda M. Beasimer
Stephen J. Beck '78
Carole M. Berotte Joseph
Eileen L. Best
Cheryl A. Billings
Gail Brittain
George S. Brown, Jr. '70
Joanne Cameron '88
James R. Champion '70
Ramona J. Carlstrom '69
Barbara A. Dolansky
Cavalieri '90
Chazen Companies
Robert J. Church, III '74
Kevin Clark '95
Owen & Linda Clarke
Eli B. Cohen '77
Charles & Betty Conklin
D. David Conklin
John & Ingrid Connolly
Susan H. Conrad
Richard V. Corbally
Patricia I. DeLessio
Mary M. DeMichiel '73
Dennis Dempster
Paul & Kathleen Ellis
Toni M. Emery '66
Estate of James V. Forster III
Lynette M. Forman '85
Elizabeth N. Freedman
James T. Galluzi &
Geraldine Pozzi-Galluzi '74
James Gellert
George A. Strba
Charitable Trust
George T. Whalen, Jr.
Foundation
Sondra J. Giordano
Bernard & Shirley Handel
Beth Ann Tritschler Hansen '75
William T. Harwood, Jr.
Diane & Ronald Hicks
Janice A. Hilderbrand '93
Howard & Emily Himelstein
Marilyn C. Holsipple
Karen & Harold Jacobs
Carol A. York Joseph '89
Maryanne Pattenaude
Kinsella '79
Ronald Kupin
Renee J. Lathrop
Donald J. & Rita F. Liberti
Louis Greenspan
Charitable Trust
Nona S. Lynch '67
Timmian C. Massie '78
William A. Maurer '95
Joan M. Mazza
McCann Charitable Trust

Alice M. McGovern
Joseph Meehan
Millbrook Tribute Garden
Holly J. Molella
F. Kennon Moody
Mary B. Mucci
Ronald T. Mullahey '69
David F. Murray '79
Marcia A. Murray '77
Martha Reifler Myers
John P. O'Shea, Jr. &
Nancy O'Shea
Harold W. Oakhill '78
Richard L. Peverly
Peter A. Phipps
June S. Pierson
Robert B. Podrzi '66
James A. Reitano &
Nancy L. Reitano
Richard Reitano &
Claudia Archimede
Carol A. Roper
Charlene A. Rosell
Rosenberry '76
Evelyn A. Rosenthal
Ruth A. Rossi '79
Elliot Rudoy
Klara B. Sauer '72 &
Heinz Sauer
Ronald W. Sella '70 &
Linda M. Sella '71
Amy Sherman & James Page
Colleen M. Callahan Sinon '74
Jeffrey G. Smith '72
Roger W. Smith
James & Christine Sproat
Frances A. Place
Sutherland '75
Marty & Ginny Triola
Kenneth L. Underwood, Jr. '90
Mary Louise Van Winkle
Mareve E. Hughes
Vanvoorhis '74
Eleanor K. Mahoney Veltre '87
Laura D. Voght '80 &
Gregory P. Voght '68
Francine A. Crapa Waruch '81
Allyn & Mildred Washington
Williams Lumber
Betty E. Wise '83
Patricia A. Zerbe

CUMULATIVE GIVING LEVELS

These special gifts
reflect multi-year
commitments
to Dutchess
Community College.

\$500,000 AND ABOVE

Charles & Betty Conklin
Llelanie S. Orcutt
Allyn & Mildred Washington

\$250,000– \$499,999

Louis Greenspan Charitable
Trust
McCann Charitable Trust
IBM
Francis U. & Mary F. Ritz

\$100,000–\$249,999

Community Foundation of
Dutchess County
Dyson Foundation
Bequest of Margaret Mair

\$50,000– \$99,999

Chevron-Texaco Foundation
Edwin A. Ulrich Charitable
Trust
First Dutchess Quilters
Handel Foundation
Hudson United Bank
Millbrook Tribute Garden
Open Society Institute
Ralph E. Ogden Foundation

\$25,000–\$49,999

Bank of New York
Carpenters Union Local 19
Carpenters Union Local 203
Carpenters Union Local 323
David J. Conklin
Patricia Gee
Estate of James V. Forster III
Estate of Nan Gingher
Donald Holzhammer
Hyde Park Lions Club
Marshall & Sterling Insurance
Martha Reifler Myers
David Petrovits
Amy Sherman & James Page
TEG Federal Credit Union
Mary Louise Van Winkle

\$10,000–\$24,999

AAUW
American Legion Arlington
Post 1302
Edward C. Anderson
Bequest of Frances K. Anderson
Bequest of Phyllis Cady
CKH Industries
Donald & Luella Cleverley
D. David Conklin
Conklin Corporation
Corbally, Gartland & Rappleyea
Correction Officers Benevolent
Association
Anthony J. DiMaso '65 &
Joanne DiMaso
Vincent J. DiMaso '66 &
Joan DiMaso '67
Maureen M. Doherty '03
Dutchess County Agricultural
Society
Dutchess County Association of
Realtors
Dutchess County Deputy
Sheriff's
Dutchess County Home Bureau
Toni M. Emery '66 &
Joseph Lucas
Samuel E. Englehart
Estate of Edmund J. Webb
Family of Dr. Lloyd Harris
Robert A. Feldman
Gannett Foundation
GAP Foundation
Arthur L. Gellert
George A. Strba Charitable
Trust
Bernard & Shirley Handel
Dorothy A. Hayward '78
Suzanne C. Henry Boies '89
Hollowbrook Associates
HRSH Nurses Alumni
Association
Hudson Valley Artisan's Guild
Hudson Valley Federal Credit
Union
Scott Keegan
Timmian C. Massie '78
John W. Mazzetti &
Judith A. Mazzetti '97
John R. McKinney
Meyer Contracting
NYS Corrections and Youth
Services Association

Michael J. O'Dell '69
John P. O'Shea, Jr. &
Nancy O'Shea
Pawling Corporation
Philips Semiconductor
Poughkeepsie Journal
Public Finance Associates
Dudley S. Schneider
James & Mary Lynn Smith
Jeffrey G. Smith '72
Roger W. Smith
Stop & Shop Companies
Richard Strain
Frank & April Strickler
Martha A. Sullivan
Algie Sutton*
Taylor Tree & Landscaping
Town of Poughkeepsie Police
Benevolent Association
Marty & Ginny Triola
UHY Advisors
Ulster Savings Bank
Brenda Verbeck
Vergilis, Stenger, Roberts,
Pergament & Viglotti
Verizon Communications
Robert & Ann Marie Vitale
Jessica Mancuso White
York-Hunter

STUDENT DONORS

William E. Abbott
Lora L. Abbott
Marris H. Abraskin
Amina Abulaban
Lucia A. Acampora
Benjamin N. Acevedo
Domtila P. Achola
Christopher M. Acken
Gordon C. Adams
Stephanie L. Adams
Emmanuel Adjaloko
Farzana Afroz
Karima Aggoub
Katherine V. Agostino
Laine M. Aguero
Angel Aguilar-Velasco
Jacqueline Y. Ahmed
Paris J. Aiken
Donna L. Akin
Tareq A. Al Jamal '05
Moises J. Alarcon
Linda A. Alberg
Robin L. Albis
Adriana S. Albuquerque
David Aldarondo
Joshua D. Aldrich
Robert V. Alexander
Rajinie Alexandre
Daniel P. Alfonso
Samir W. Alhelo
Mansoor S. Ali
Abdul-Kareem A. Ali
Vlora L. Alijaj
Christina C. Alioto '05
Lila H. Aljariri
Justin R. Allen
Joshua T. Allen
Angela R. Allers
Vincent Allou
Jose M. Almonte
Rebecca A. Amaral
Nolan F. Amelio
Ryan J. Amelio
Peter J. Amen
Blair A. Amerighi
Christian B. Amondi
Rachel J. Amundson
Jennifer L. Anastasio
Carol B. Anderson
Michelle L. Anderson
Sarah C. Anderson
Brendan J. Anderson
Nicole D. Anderson '05
Andrew C. Anderson
Michael E. Anderson
Gerald Andre
Caren J. Andresen
Suzanne M. Andrew '05
Carolee Andrews
Brad M. Andrews
Christine M. Andrews
Megan K. Andros

Nathaniel N. Angell
Isaac M. Angell '05
Christina M. Angelucci '05
Nicole D. Angulo '05
Chris A. Annunziata
Chalid Ansar
Joseph H. Antenucci
Brooke E. Anthony
Paul M. Anthony
Elizabeth E. Aponte
Erica M. Appel '04
Adam J. Appel
Matthew C. Appler
Amanda J. Arcone
Stephanie Maire Ariola '05
April P. Armanno
Sarah L. Arnold '05
Raymond W. Arnold
Peter M. Arsitiz
Joseph A. Ascione
Alan J. Atkins
Eric C. Atkins
Amanda L. Atkinson
Yan Auerbach
Steven J. Augello
Elizabeth A. Auger
Anthony M. Avery
Brian Michael Avery '05
Jorge A. Avila '99
Ifeoma O. Awaka
Amy N. Awe
Luis Ayala
Danielle A. Ayala
Alina Babar
Ronald J. Babcock
Christopher L. Babiartz
Michael F. Babio
Jessica E. Baccomo
Carrie R. Backus '05
Joanna H. Baczek
William M. Badders
Natali Baez '05
Crystal Baez
Elizabeth H. Baez
David W. Baier
Michael G. Bailey
Brandon S. Bailey
Lindsay A. Bain
Thomas I. Bain-Alves
Beata J. Bajdak
Karen J. Baker
Cotlyn A. Baker
Erica J. Baker
Melissa D. Baldanza
Nicole M. Balducci
Michael L. Balioni
Caitlin Ball
Ernest H. Balloni
Matthew Charles Ballos '05
Joseph A. Bamonte
Laura M. Bangert
Andrew W. Banner
Ashley M. Barger
David N. Barlow Jr
David C. Barnes
Jesse A. Barnett

Caitlin Kirnan Barnhart '05
Matthew A. Barnish
Colin R. Baron '05
Matthew C. Barrett
Tobian K. Barrett
Stephanie L. Barrett
Daniel G. Barriel
Diana L. Barrington
Lani J. Barry
Patrick D. Barry '05
Christina L. Bartley
David R. Barto
Corina Marie Bartolomeo '05
Matthew J. Bartolomeo
Joseph Nicholas Bartolotti '05
Lisa M. Bartolotti
Jason Barton
Shane M. Barton
Krystal Marie Barton '05
Hunter P. Barton
Kenneth J. Barton
Jesse M. Bassignani
Lauren A. Battaglini
Kevin T. Battipaglia
Tamoya N. Baugh
Kristen M. Baurczarski
Carol Frances Baynes '05
Christina M. Beaulieu
Sarah M. Beaumont
Jennifer L. Becker
Daniel A. Becker
Mallory J. Bedell
Robert M. Beers
Arianne M. Beesmer
Brigid A. Begley
Carolyn E. Beisiegel
Elizabeth Anne Bell '05
Bianca Belotte
Barbara Belotte
Kristoffer M. Bengtson
Megan I. Benjamin
Kevin M. Bennett '05
Karen Benson
Robert Benvenuto
Tayfun Berberoglu '05
Andrew L. Bergen
Ashley A. Bergenson
Annemarie Berger
Christian Berishaj
Thomas J. Berlinghoff
Jennifer L. Bermudez
Sheila G. Bernard
Maria J. Bernasconi
Sorangel Berruecos
Samantha L. Bertolozzi
Justin M. Bertolozzi
Ryan R. Bertrand
Carol A. Bertrand
Marissa J. Betro
John P. Betz
Danielle L. Beurket
Shannon N. Beyer '05
Anand V. Bhopale
Nicole T. Biengardo
Ilea C. Bigley
Thomas J. Bilotti

Justin M. Binder
Diana L. Birdsell
Laura A. Birli
Adam M. Birnbaum
Stephanie Marie Bisaccia '05
Marisa c. Bisaccia
Joshua C.J. Bisanz '05
Muath M. Bishawi
Tianna L. Bishko
Allison L. Bishop
Mark T. Bisogno
Angelina M. Bissessar '05
Dana L. Bissonette
Osama A. Bitawi
Robert William Bitting '05
Seth W. Bizzigotti '05
Travis J. Bjorkander
Jennifer Ann Blake '05
Colin J. Blake
Christina M. Blakslee '05
Mark D. Blanchard
Melvin R. Bland
Ursula D. Bland
Shaina B. Blas
Ellen E. Blasi
Jamie L. Blasone
Jana Blazicek '05
Amy L. Bloomer
Eugene R. Bluford
Hagar O. Boakye
Kathleen A. Boardman
Steven S. Bochicchio
Erica A. Bogart
Paul E. Bogart
Kevin M. Bohannon
Ailisha D. Bolduc
Cara M. Bolsinger
Stephanie M. Bonavito '05
Adam Bonilla
Caroline M. Bonnefoi
Bethany J. Bonneville
Michael W. Bonventre
Kimani Boone
Thomas T. Bordanaro
Jennifer L. Bordas
Scott R. Borden
Alex W. Bordino '05
Matthew D. Boscia
Ralph Richard Bosco '03
Holly Beth K. Bose
Matthew J. Bosko
Danmei Boss '05
Rafael C. Bou
Nicholas R. Bouchard
Manelous G. Bougades
Martha L. Boulanger '05
Sara L. Boulerice
Melissa B. Boutot
Jonathan A. Bove
Amelia E. Bove
James V. Bove III
Michael J. Bove
Scott A. Bowen
Tommy L. Boykin
Jessie J. Boyle
Ashley M. Bozsik

Iлона D. Bozsik '05	Giulia F. Bruno	Andrew P. Calvi	Devin S. Caswell
Kenneth P. Brace	Steven M. Bruyn	Glen D. Calvin	Denni M. Catalano
Kayla ann Bradford	Frederick M. Bryan	Dany Camacho	Lawrence V. Catalioto
Iris N. Bradley	Priscilla E. Buah	Linda S. Camaj	Lekyta J. Catts
O'Dane R. Brady	Eric Bucci	Sasha Camaj	Corinne M. Cauchi '05
Ilana R. Bram	Michelle Lee Buccione '05	Vicky Camaj	Jason T. Caulfield
Sara M. Branch	Megan P. Buch	John W. Camp III	Percida F. Caurim
Ryan J. Brandt '05	Emily L. Buckner	Brandon A. Campana	Daniel T. Cavallaro
Daniel M. Brandt	Irene B. Buda	Christie M. Campanaro '05	Kimberly A. Cazzolla
Benjamin K. Brawer	Rachael L. Buhler	Anthony s. Campanella	Darren M. Cea
Joseph O. Breitman	Cassandra M. Bukantis '05	Justin T. Campbell	Heather J. Ceballos '05
Janet E. Brendli	Christina A. Bukantis '05	Regina M. Campbell	David James Celentano '05
Jonathan M. Brennan '05	David G. Bulson	Alexander J. Campone	Anthony Cerrato
Amanda M. Brennan	Ryan C. Bulson	Jessica R. Cannizzaro	Jennifer V. Cerreta
Kelly L. Brennan	Brittany A. Bulson	Alexis K. Cannizzaro	Hae-Min Cha
Chase C. Brenneisen '05	Cari Ann R. Bulzone	Samantha A. Cannon	Melissa Ann Chaffee '05
Gregory N. Brevetti	Jessica L. Burger	Eric M. Cannon	Alex S. Chalvy
Daniel Brevi	Kristin V. Burger	Lauren E. Cantamessa	Crystal J. Champlin
Katherine M. Briggs	Nicole E. Burke	James A. Cantatore	Neha Chandani
William E. Briggs	Marissa L. Burke	Valerie A. Cantone	Amanda M. Chapman
Gregory R. Briggs	Taylor M. Burke	Kenneth I. Capolino '05	Antoine L. Charlas
Michael D. Brill	Kavian J. Burke	Paolo Capparelli '05	Nile J. Charles
Mariama A. Brimah	Sarah E. Burnham	Michelle A. Cappillino	Joel T. Chase
Tobias Brimah	Patrick A. Burns	Todd P. Capraro	Melodie M. Chastain
Sonja N. Brimo	Elaine M. Burns	Christine A. Carbon	Vicente Chavez-Silva
Jessica L. Brink	Heather J. Burns	Amber R. Cardascia	Irene W. Chege
Stacy C. Brinsfield	Dempsey Burris	Alison Ann Cardinal '05	Mu Tzu Chen
Bernard Brisbon	Jonathan E. Burrow	Lauren H. Cardinale '05	Scott A. Chestnut '05
Kristen M. Briscoe	William B. Burrows	Marc D. Cardinale	Amanda M. Chianelli
Justin T. Brisee	Zachary P. Burruby	Vincent D. Cardoso	Ruth N. Chiasla
Daniel C. Briskey	Nicole M. Burton '04	Alyssa M. Cardus '05	Tina E. Chickery '05
David J. Broad	Sara E. Burweger	Kristin E. Caridi	Daniel E. Chickery
Christopher S. Broas	Daniel K. Bush	Christopher T. Carlon	Alissa M. Chikeles
Troy K. Broestler	Denise M. Bush	Shane Carlson	James M. Childress '05
Samantha L. Brooks '05	Christina M. Bushey	Christina M. Carlucci	Robert L. Childress
Robert E. Brooks	Chaiyus S. Buthakurn '05	Sydney A. Carmody	Meggan N. Chirico
Matthew M. Brophy	Teresa R. Butler	Richard J. Carney	Michael P. Chirino
Julia B. Brott	Regina M. Butler	Ryan A. Carozza	Frank J. Chismar
Kristen M. Brower '05	Shawnte S. Butler	Therese J. Carrick	Dennis R. Chisolm
Tiffany M. Brown	Bridget L. Butler	Matthew S. Carroll	Christine M. Chiumento
Carlos L. Brown	David R. Butterworth	Larissa M. Carson '05	Jason L. Chlebo
Kelly A. Brown	Krystal M. Byrne	Ebony T. Carter	Donna M. Chlebo
Dylan J. Brown	Stephanie A. Caballero	Erika J. Carter	Michelle M. Chmura
Felicia Brown	Eric J. Cables '05	Danielle R. Carter	Nadia A. Choudhry
Fiona T. Brown	Julio S. Cabrera	Erica C. Cartolano	Sara M. Christie
Jacqueline E. Brown	Nancy Ann Cabrera '05	Christina A. Caruso	Khayton O. Christie
Angel G. Brown '05	Bryan Cacace	John M. Caruso	Jillian L. Chuff
Lindsay M. Brown	Tiffany M. Cacace '05	Jenna M. Caruso	Laura E. Ciacci '05
Kayan A. Brown	Darrelle J. Cadet	Marco A Carvajal '05	Dennis J. Gialini
Rohan Brown	Robert J. Cahill	Margaret M. Cary	Anthony Cichra
Toi S. Brown	Justin P. Cairo	Eileen Casanova	Teresa Cichra
Roxanne M. Brown	Nicole M. Calabrese '05	Anthony T. Cascioli	Kathryn A. Ciesluk '05
Meghan E. Brown '05	Danielle Leigh Calabrese '05	Michael Casino	Angela M. Gioffi
Elena M. Browne	Christopher A. Calabrese	Josephine A. Casola	Lisa M. Gioppa
Griffin S. Browne	Amanda J. Calabrese	Karen Ann Cassaro '03	Angela M. Gioppa
Diana M. Browne	Meghan D. Calabrese	Christopher G Cassaro '05	Charles G. Cipriani
Valerie M. Browne	Scott D. Calcagni	Patrick J. Cassels '05	Kari A. Cirigliano '05
Heather A. Browne	Emil B. Calderon	Jonathan D. Cassetta	Jessica Citarella
Kristin A. Brucale	Michelle S. Calderone '05	Kevin E. Castaldo	Sean M. Civitella
Meghan R. Bruen '05	Melissa Mary Calenda '05	Ryan C. Castle	Veronica C. Clare
Loriann Brugger	Katie M. Caliendo	Christopher S. Castleberry	Hilary Clark '05
John J. Brunet	Timothy R. Callan	Jimena Castria	Lauren A. Clark
Kaylee M. Brunner	Danny Calle	Christine D. Castro	Daniel V. Clark
Timothy A. Bruno	Anthony J. Calosso	Jessica L. Castro	Rebecca A. Clark
Kevin A. Bruno	Hillary S. Caltagirone	Brandon C. Casucci	Robert A. Clark

Kyle M. Clark	Ashley J. Corcoran	Danielle D'Ascoli '05	Justin A. DeLeno
John R. Clark	Paul C. Corey	Amber R. Dabroski '05	Andrea Fernanda Delgado '05
Michael J. Clarke	Michael T. Cornell	Crystal L. Daley	Daniel A. Dellaguardia
Murray H. Clarke	Erica N. Corrado '05	Christopher D. Dalianis	Angela Dellaportas
Nile A. Clarke	Linda P. Cortes '05	Fabienne Dalmacy	Heather M. Delman
Hamar J. Clarke	Sarah E. Cosenza	Kimberly D. Dalton	Christina M. DeMaio
Timothy J. Clarke	Melissa L. Cosman	Kevin J. Daly	Vincent T. DeMarco
Anthony W. Clausi	Donald E. Cosman	Michelle V. Damacion	Gina M. DeMarco
Paul W. Clausson '05	Alexander T. Costa	Kenneth T. Dandrow	Bryan C. DeMarco
Sarah M. Clayton	Nancy Costa	Scott C. Daniele	Kerin A. DeMasi
Devan M. Cleary	Mariana Costagliola	Patrick S. Daniels	Joseph DeMatteis
Thomas J. Clegg	Brittany N Costigan '05	Steven J. Danna	Colette C. DeMello
Brian M. Clegg	Tamara E. Coston	Patrick L. Darbee	Jessica L. DeMilio
Michael W. Clerkin	Nicole E. Cotcamp	Erik L. Darling	Christopher C. Denisar
John T. Clifford	Orlando Cotes '05	Derek A. DaSilva '05	Cara J. Denisar
Stephanie L. Clinton '04	Jillian E. Cotter	Oriel C. Daubon	Lauren C. Denisi '05
Desiree H. Clinton	Talia M. Cotto	Jennifer N. Daversa	Michael V. Dennin
Sherri-Ann L. Clunis '05	Amanda Victoria Coulombe '05	Tracy L. Davey '05	Lucas T. Denton
Ralph S. Coates	Tatiana M. Coulthrust	Michael A. David	John A. DePalma
Jessica A. Cobb	Andrea M. Coumbes	Joseph M. Davies	Danielle M. Deppen
Daniel F. Cocciardi	Ellen E. Countryman	Rebecca L. Davies	Trevor R. Depuy
Jennifer L. Coco	Thomas C. Court	Noel A. Davila	Joseph Derasmo
Michael H. Coffman	James H. Covell '05	Katherine S. Davis	Haeley C. Derby '04
Steven L. Cohen	Mark E. Coviello	Joseph L. Davis	Michael J. DeRosa
Elizabeth P. Cohn	Ian A. Cowan	Cortney M. Davis	Anthony V. DeRosa
Ewa Colantuono	Elizabeth M. Coyle	Keith A. Davis	Jared W. DeRosso
Brandon John Cole '05	Jessica M. Coyne	Alfred A. Davis	Michael J. DeSalvo
Caitlin J. Coleman '05	Jacqueline J Coyne '05	Christina M. Davis	Sara A. DeSantis
Lucas W. Coleman	Aaron F. Craft	Kathleen M. Davis	Amanda L. Desiderio
Sharice D. Coleman	Robert A. Craig	Sophia Davis	Danielle M. Desimone
Thomas A. Coleman Jr	Andrea L. Craig	Christopher D. Davis	Annette L. Desmarais
Kenneth M. Coletta	Nicole A. Crandell	Christine M. Day '05	Justin M. DeStrange
Vanessa A. Coletti	Karly A. Grauer '05	Jessica A Day '05	Daniel J. DeTullio
David A. Collazo '04	Damian M. Crawford	Manuel E. De La Rosa Jr	Matthew J. Deuire
Carla M. Collins	Heather Lee Crawford '05	Jeremy J. Dean	Michael D. Devens
Siobhan E. Colman	Concetta A. Crawley	Melissa A. Dean	Michael W. Devine
Michael S. Colomb '05	Alicia M. Creighton	Kaitlyn E. Deane	Thomas W. Devore
Omaira M. Colon	Karen A. Crisci	Christopher M. DeAntonio	Rachel A. DeWald
Krystle J. Colon	Deyla L. Crist	Amy R. DeCarlo	Igeria L. Deyo
Jessica M. Colson	Stephen J. Critelli	Amanda C. Decarlo	Megan L. Dezendorf
Alphonso P. Colucci	Erica M. Cromwell	Megan M. DeCarlo	Angelo A. Diamanti
Brendon T. Comfort	Colleen M. Cronin	Kathleen L. Decker	Aaron D. Diamond
Mandy L. Conahye	Sean E. Crowther	Joshua A. DeCosta '05	Luis a. Diaz
Debra L. Condon	Michael L. Crumpton	Kaja A. Dedijer '05	Amy J. Diaz
Jillian Ann Coneski '05	Juliann Cruse	Lynda M. Dedivanovic	Richard J. Diaz '05
Justin C. Conklin	Elizabeth Cruz	Shanna M. Deegan	Eric E. Diaz
Terrence R. Conklin	Claudia M. Cruz	Jeri DeFabbia	Javier A. Diaz '05
Daniel J. Conklin	Jolene R. Cservak '05	Jeffrey J. DeFazio	Lara C. Diaz
Laura N. Conklin '05	Tracy L. Cuccia	Danielle L. DeFraia	Erica L. Diaz
Jessica L. Connor	Paul J. Cuccia	Lisa J. DeGiorgio	Gabriel R. Diaz
Kevin J. Connor '05	Colin P. Cuddihy	Kyle DeGroat	Michael A. DiBlanca
Robert R. Connor	Sara M. Cuffee	Brandon J. DeGrosso	Lauren A. DiCarmine
Paul J. Contarino	Jared R. Culklin	Nicole M. DeGuisto '05	Dominique B. DiCarmine
John R. Conte	Gentjan Cullaj	Christopher Dehnert	Aubrey M. Dick
Daniel V. Contini	Donna M. Cuomo	Ashley J. Dehnke	Lisa L. Dickens '05
Jaison D. Cook '05	Victoria G. Curman '05	Johanna D. DeKrey '05	Diana M. DiDonato
Mindy N. Cooke	Kristina R. Curtis	Cherine Del Rosario	Angela DiDonato
Joseph M. Coon	Bryan M. Cussick	Gricelda Dela Cruze	Frank M. DiFabio
David A. Coon	Catherine R. Cutilli	Cayetano O. Dela Vega	Jennifer N. DiFalco
Jonathan D. Cooper	Kaleigh M. Cwik	Cody R. Delamarter	Dana M. Difilippo
Sean T. Cooper	Joshua W. D'Amato	Nicole B. Delaney	Brandon M. DiLeo
Christopher A. Coppola	Anthony T. D'Anci	Alexander W. Delatorre '05	Startasha M. Dillard
Sedat Corapsiz	John R. D'Angelo	James A. DelDuco	Melissa S. DiLorenzo '05
Elise K. Corbo	Nicole M. D'Anna	John A. DelDuco III '05	Emily R. DiMaria
David L. Corcoran	Gloria R. D'Antoni	Alexander F. Delemos	Nicole T. DiMartino

Leah P. DiMase '05	Chris L. Dunlap	Roberto A. Espinosa	Dana L. Fiorisi
Megan P. Dimeo	Justin F. Dunlavy	Angela J. Espinosa '05	Jason W. Fisch
Jacqueline Marie DiMetro '05	Caitlin M. Dunlavy	Steven P. Esposito	Brock W. Fischetti
Lauren R. DiMicco	Amanda L. Dunlop	Pasquale S. Esposito	Zachary N. Fisher
Diana M. Dimuro	Patrick F. Dunn	Krista Esposito	Jessica L. Fitch '05
Emily J. Dingee	Sara L. Dunstan	Betina A. Estela	Lewis John Fitzgerald '05
Alfred A. Dioguardi	Robert R. Dupont Jr	Amy N. Estes '05	Caitlyn J. Fitzgerald
Awa Diop	Elvia S. Duque '05	Regina T. Euell '05	Katie L. Fitzpatrick
Elhaji Diop	Renee M. DuQuesne	Matthew J. Eugenio	Fallon A. Fitzpatrick
Jeanna M. Diorio '05	Bisson S. Durandisse	Kurt D. Evans	James M. Flannery
Alicia M. DiPerno	Kristen E. Durr	Nicole D. Evans	Ashley R. Fleischhauer
Marie E. DiPerri	Christopher J. Durso '05	Megan E. Evans	Christina J. Flemming
Michael A. DiRienzo	Anup K. Dut	Ralph J. Facchiano	Jonathan M. Flemming
Jeremy J. DiSalvo	Richard F. Dwinall	Amanda G. Facchin	Angela E. Flesland
Kelly Anne Disciorio '05	Eleanor K. Dwinall	Damien T. Faillace '05	Yael Flores
Christina M. DiStefano	Kelly A. Dwy	Sade D. Faircloth	Dennis V. Flores
Ryan M. DiStefano	Anthony R. Dwy	David H. Fairey	Raquel S. Flores
Andrew J. DiVito	Timothy M. Dwyer	Valerie M. Fairhurst '05	Gina M. Flores
Juliana N. Dixson	John G. Dyal	Rebecca D. Faison	Joanna C. Foceri
Joel K. Djanie	Stefanie M. Dye '05	Joanna F. Fakhouri	Michele L. Folchetti
Russell A. Dodge	Christopher J. Dziuba	Diana C. Fakhoury '05	Tara Marie Follini '05
Sara L. Doerrier	Joseph T. Dzwil	Jennifer L. Falasco	Amy M. Fontaine
Kelly A. Doherty	Nicole O. Eades	Corbin M. Falcon	Christopher A. Fontana
Kimberly N. Dolan	Nicholas C. Eagan	Michael A. Falso	Jessica Mae Foose '05
Elizabeth A. Dombroski	Duane J. Earley	David S. Fanelli '05	Justin S. Foose
Elizabeth A. Dombrowski	John Eaton	Mohammad R. Farhad	Lesli D. Ford
Kipp A. Dombrowski	Gregory J. Ecklund	Gregory C. Farley	Erica L. Foresman
Joseph E. Dominguez '05	Christopher W. Eddy	William R. Farrell	Tonya L. Forgette '05
Matthew C. Donachie	Sarah M. Edelman	Brian J. Farrell	Danielle Fornabaio
Emily C. Donahue	Rhonda M. Edge	Benjamin D. Farrey '04	Lee M. Forrest
Yaroslav Donchenko	Jon P. Edouard	George J. Fasano	Kevin P. Forrest
John J. Donegan	Matthew J. Edwards	Anthony L. Fasano	John R. Forrest Jr
Leslie M. Dongo	Robert J. Efferen	Jordan P. Fasano	Aric S. Forrester
Kevin M. Donnelly	Sean R. Egan	Thomas J. Fasulo	Patrick J. Forringer
Amanda J. Donnelly	Krista J. Egan	Habib Fatima	Scott Thomas Forsythe '05
James F. Donovan	Ryan P. Egan	Emily E. Faulds	Jessica L. Fortin '05
Owen M. Donovan	Erin Eickler	Carolyn M. Faulkner	Amanda M. Fossati
Michael R. Dooley	Paul Ekpin '05	Teresa A. Feathers	Jennifer N. Foster
Danielle M. Dooris	Hiam A. El Tamer	Susan D. Feeney '05	Joanna E. Foster
Erica-Marie Doria	Robyn N. Elder '05	Emily L. Feliberti	Michelle F. Fotis
Heather R. Dors	Derreck T. Elderkin	Gregory A. Felice '05	Matthew R. Fowler
Michael J. Doscher Jr. '05	Fawn D. Eli '05	Krystle L. Feliciano	Deborah Fox '05
Justin C. Dosio	Erinn E. Elliott	John Feliciano	Vanessa L. Fox
Kyle P. Doughty	Richard Ellis	Marianela Feliu	Jessica L. Francis
Steven D. Doughty	MacDaniel D. Ellis	Jannitta V. Felton	Lauren J. Frankel
Roxanne E. Douglas	Marqus Ellis	Jessica M. Fenech	Melissa N. Franklin
Nicole M. Douglas	Tara J. Ellis	Britt M. Ferguson	Curtis S. Frantz
Thomas J. Downey	Trevor W. Ellis	Brian Steven Fernekes '05	Nicholas N. Franze
Ainslee A. Doyle	Joseph M. Elmanakhly	Christina Ferrara	Aasta M. Frascati-Robinson
Ryan P. Doyle	Michael W. Elmendorf	Derek J. Ferreira	Kimberly A. Fraser
Gregory W. Drexler	Aleighsha D. Elston	Robert J. Ferri	Kristin E. Frattura
Jose S. Duarte	Lindsey K. Elston '05	Megan M. Ferri	Kristen M. Frederick
Mark Zenon Dubiel '05	Allison M. Elwell '05	Brendon J. Ferry	Amy E. Fredrickson
Justin G. Duchin	Ryan J. Emerson	Jonathon C. Ferry	Garrett A. Freeman
Joseph P. Ducillo	Richard J. Emodogo	Mary H. Ferzola	LaKishia S. Freeman
Susan A. Duffy	Nicholas N. Ennis	Victoria E. Fetchik	Meagan M. Freer
James P. Duffy	Brenna V. Enright	Taamee A. Feuer '05	Kevin L. Frei
Emma R. DuFrane	Janna A. Enright	Wandaly Figueroa	Victoria N. French
Laura L. Dufresne '05	Alison B. Enson	Alexis B. Figueroa '05	Heidi A. Friedlander
Shelly-Ann L. Duhaney	Kimberly A. Eraca	Tysen F. Fingado	Erica J. Friedman
Marchella Clarice Dukes '05	Jessica L. Erichsen	Jason E. Finger	Anthony C. Frisenda
Katherine Ann Dumser '05	Jennifer L. Erichsen	Andrea R. Finn	Catherine A. Frongillo '05
Daniel S. Dumser	Peter J. Errico '05	Shannon M. Finn	Matthew J. Frustaci
Nakita S. Duncan '05	Donna M. Errico	Joshua J. Fino	Dwayne T. Fryar
John R. Dunderdale	Luis D. Escobar	Michael F. Fiore	Mehmet A. Fuat

Diana L. Fucile	Heather A. Geer	Simranjeet K. Goraya	Sarah E. Haas
Cheryl A. Fucile	Marc T. Geerer	Richard E. Gordon '05	Richard R. Haas
Erika M. Fuller	Jake A. Geffner	Jennifer S. Grabowicz	William Haas
Cassandra L. Fuller	Kevin D. Gelardi	Lauren M. Grace	Laura M. Hack
Joseph H. Fulton	Jamie-Lyn Gentilquore	Alissa E. Grady	Bonnie L. Hacker
Jessica A. Fulton	Anthony J. George	Danielle M. Grady	Meaghan A. Hackett
Amanda L. Funk	Tiffany J. Georges '05	Walter L. Graff	Alma H. Haddadi
Richard J. Funk '04	Theresa H. Geraci	Michael F. Graff '05	Kristina M. Hagen
Katherine C. Furlano	Melodie A. Gerena	Christopher R. Graff	Amanda N. Hagen
Matthew J. Furlano	Nicole E. Gerstheimer '05	Sheena L. Graham '05	Jessica A. Haggerty
Danielle A. Furu	Jasmyn L. Gervais-Cierniak	Gabriella M. Grandinetti	Ryan P. Haight
Christopher N. Fusco	Sonji Y. Ghee	Sarah N. Graney	Roger F. Haight Jr. '04
Tiana C. Gadsden '05	Robert M. Giammatteo	Kristina L. Granieri	Heather A. Halbert
Latoya M. Gadsden	Amanda L. Giammatteo	Lancelot O. Grant	Renee S. Hale
Katie M. Gaetani	Robert J. Giampaolo	Russell T. Grant	Emily R. Hale
James A. Gagliardo	Dena M. Giannelli	Felicia A. Grant	Adam E. Hale-Rude
Stephen A. Gagliardo '05	Spyridoula Giannos '05	Natalie C. Grant	Kimberley G. Hall '04
Dana A. Gaglione	Valerie Ann Giblin '05	Amber L. Grant	Nicholas P. Hall
Jennifer D. Gaines	Sharline A. Giff	Kelly-Ann R. Granville	Kathleen P. Hallock
Elizabeth Galeano	Daniel Gil '05	Sandra E. Grasby	Daniel H. Hallock
Michael S. Galente	Angel L. Gilbert '05	Michael C. Gravette	Jonni s. Halstead
William D. Gallagher	William E. Gilbert	Anna M. Gray	Amanda Michelle Halstead '05
Lyle A. Gallagher	Rebecca D. Gillard	Emily G. Gray-Marrero '05	Brent D. Halton
Ian R. Gallagher	Therese G. Gillen	Melissa A. Grayson	Shawn E. Haman
Sean M. Gallagher '05	James J. Gilleo	Amber L. Graziadel	Christopher B. Hamberger
Jonathan A. Gallagher	Cari A. Gillespie	Jeth T. Graziano	Michael E. Hamel
Jeanna L. Galletti	Robert W. Gilnack	Sabrina M. Grech	Jennifer M. Hamel
Michael V. Gallipani	Matthew A. Giordano	Meghan E. Greco	Aleem D. Hamil
Margaret E. Gallo	Michael A. Giordano	Trevor P. Greene	Thomas J. Hamill
Valery F. Gallo	Raymond M. Giraud	Andre' M. Greene	Matthew L. Hamm
Michael G. Gallo Jr	Dana K. Girone	Cynthia M. Greene	Brian M. Hand
Francisco Galvan	John M. Giudice	Erin A. Greenough '05	Amanda M. Hanley
Jasmine R. Gambino '05	Scott L. Giuliano	Stuart Greenzang	Christopher J. Hanna
Lisamarie Gambino	Chiara Giuliano	Christopher V. Greggo '05	Tina M. Hannan
James S. Gambino	Nichole K. Giunta	Ja'net Georgeanna Gresler '05	Diana R. Hannon '05
Daniel M. Gamma	Justin M. Givler	Erika J. Grey	Matthew J. Hannon
Stephen C. Gamma	Saranda Gjonbalaj	Tanya N. Grey	Ashley M. Hansen
Vincent J. Gammone	Megan Erin Glancey '05	Amity H. Gribble	Christopher E. Hansen
Sean M. Gannon	Allyn L. Glassberg	Shaqueena C. Grier	Stephanie L. Hansen
Jason A. Garcia	Matthew F. Glausen	Robert G. Griffin	Cailin A. Hansen '05
Brian C. Garcia	Brittany M. Glinka	Nailah D. Griffin	Adam R. Hanson
Kristina L. Garcia '05	Janice E. Gloss	Lucas F. Griffin	Marc J. Harbourne
Stephanie Garcia	Christopher John Glynn '05	Leon W. Griffin Jr	Jacob D. Harden
William Garcia Jr	Jessica J. Glynn	Tabitha N. Griffith	Eric B. Hardwick
Clinton Gardner	Andrew T. Glynn	Volneylee J. Griffiths	Philip J. Hardy '05
Karen A. Garger	Brian M. Gmuer	Brian C. Grim	Daniel P. Hardy '05
Darius P. Garland	Summer L. Gnann	Alyssa M. Grippo	Korin M. Hardy
Christopher J. Garnett	Krista M. Gobins	Ryan M. Griswold	Casey R. Hargrave
Frank Garofalo	Jade F. Goehring	Rachel C. Grome	Catherine A. Harmon
Kenneth P. Garon	Jeanne N. Goehring	Andrew J. Gropp	Hopeton L. Harrell
Anthony R. Garramone	Christian T. Golden '05	Amanda J. Grotto	Jonathan E. Harrington
Monita E. Garret	David A. Goldenberg	Heidi A. Grundon	Dominique K. Harris
Shanece J. Garrett	Jennifer M. Gomes	Melina R. Guadalupe	Jeremy Harris
Tyler J. Garrison	Brianna F. Gonia	Ronald R. Guajardo	Ashanti R. Harris
Derek J. Gartner	Stephanie M. Gonzalez	Leidy L. Guest	Nicole J. Harris
Shane R. Garziona	Jessica Gonzalez '05	LeeAnna E. Guido	Michael J. Harris
Adam Gasparre	Daisy L. Gonzalez	Kate M. Guinan	James R. Harrison
Dennis J. Gasparro Jr	Mayra Gonzalez '05	Jennifer M. Gundersen	Shawn D. Harrison '05
Judith I. Gaston	Justin A. Gonzalez	Cody M. Gunsch	Cheryl A. Hart
Michelle T. Gaudette	Eric Gonzalez	Anuj Gupta	Kerrie L. Hart
Kristen P. Gaudette	Julio A. Gonzalez	Jason J. Gustafson	Meaghan E. Hart
Anthony J. Gaudio	Samantha L. Goodbread	Matthew E. Gustafson	Erik S. Hartling
Christian A. Gavasci	Justin J. Goodson	Renne D. Guy	Christina J. Hartwell
Alex Gazivoda	Vivian Gor '05	Noel Guzman	Keith M. Hartwell
Christopher Shea Gebbie '05	Jagjeet Goraya	Ashley A. Haan	Dian Michele Harvey '05

Richard L. Harvey	Megan L. Hoag	Wafaa Ibrahim	Alexander Q. Johnson
Eric B. Hasbrouck	Nicholas L. Hoag	Alison K. Idema	Tamatha M. Johnson
Samantha C. Hassett	Carolyn G. Hochlowski '05	Sandra O. Idosu	Sheena M. Johnson
Carly H. Hassett	Michelle D. Hochmuth	Michael A. Ielmoni	Dantae S. Johnson
Ehren T. Hawks '05	Christopher Ian Hodge '05	Joseph Ilardi	Zachary K. Johnson
Casey A. Hayden	Clyde D. Hodge	Kori L. Im	Donald T. Johnson
Alicia A. Haymann	Loren A. Hoffman	Amanda M. Im	Brian J. Johnson
Kajsia M. Haynes	Sarah R. Hoffman	Andrew Imperati	Peter T. Johnson
Kristina Lee Hazelton '05	Loren M. Hogan	Jessica A. Imperiale	Rachel A. Johnson '05
Belinda Z. Headley	Jamie L. Hogan	John C. Ineson	Tammie L. Johnson '05
Suzanne N. Headrick	Maggie L. Hogan	Christopher J. Infantino '05	Nicole E. Johnson '05
Brendan Heady	Rene A. Hohenstein	Michael J. Infelice	Michele L. Johnson
Victor H. Healy	Shaun L. Holbrook	Edwin J. Inocente	Fawn A. Johnson
Tarell M. Heard	Amanda L. Holczinger	Amelia M. Inzeo	Brandon Johnson
Lawrence T. Heaton	Victor A. Holley	Meaghan L. Iozzo	Anthony Johnson
Patrick T. Heavey	Stephanie A. Holley	Jason S. Irish	Bryan M. Johnston
Jon T. Hedin	Lindsey H. Holliday-Egan '04	Tyler K. Irish '05	Timothy M. Johnston
Jessica S. Heffler	Eric G. Holmgren	Kathryn L. Irving	Veronica R. Johnston
Dorothy Heilbrunn '05	Anthony L. Holt	Christopher R. Irwin	Dennis V. Johnston
Alexandra E. Heinen	Shawn C. Holzmann	Ruel W. Isaacs	Matthew B. Johnston
Karl M. Heino	Adrienne L. Honeycutt	Patricia L. Iturralde	Jessica E. Johnstone
William J. Helbock	Mia T. Hood	Cristina R. Izquierdo '05	Grace A. Jones
Sarah J. Heller	Bradley J. Hoover '05	Shannon G. Jablonka	Tekima L. Jones
Ashley Heller	William W. Hopson	Quinn D. Jackson	Cecil A. Jones
Patricia S. Heller	Kailin H. Horan	Kelly C. Jackson	Carla A. Jones
Shannon C. Helmeyer	Kristin E. Horst	Tori S. Jackson	Tara M. Jones
Tiffany J. Hempel	Dustin A. Horton	Aisha L. Jackson	Eric J. Jones
Matthew S. Hempel	Krystal A. Hotchkiss	Reginald J. Jackson	Alexis A. Jones
Martha R. Hempel '05	Sean C. Howard	Erik C. Jackson	Marissa M. Jones '05
Unity L. Hendricks	Michael J. Howay	Russell A. Jacobsen	Timothy W. Jones
Michele Henley	Stacie M. Howell	Brian C. Jacoby	Deanna D. Jones '05
Andrew S. Henne	Raquel K. Hoyes	Simon Jacovic	Christine A. Jordan
Patrick J. Henneberry	Jamie L. Hritz '05	Krista L. Jados	Christal M. Jose '05
Nicole T. Hennebery	Patrick W. Huber '05	Tina Marie J. Jaehnert	Kenneth C. Joyce
Mark A. Hennessy	Birgit Hudson	Kamolphan Jaengsawangwong	Tamara L. Joyce
Brandon M. Henry	James Huestis	Jinnat Jahan	Timothy J. Joyce
Krystle M. Henry	Richard D. Huff '05	Angela L. Jahoda	Joyneia C. Joyner
Arthur G. Henry III	Luke C. Huggard	Nicholas Adam Jakubek '05	John M. Juavinett
Eric G. Henschel	Michael W. Hughes	Tashika C. James	Jennifer Juavinett
John J. Herles '05	Daniel C. Hughes	Jessica L. James	Chelsea Lee Judson '05
Ashley L. Herman	Albert M. Hughes	Dustin R. James	Lauren A. Julis
Francine Hernandez	Holly N. Hughes	Khmer S. James	Luis A. Jusino Jr '05
Julia M. Hernandez '05	Mary F. Hughes '05	Steven J. James	Ardian Kaba
Emily Herrera	Stephen P. Huller	Reid C. James	Durim Kaba
Jason P. Herriman	Tamika Humphreys	Jennifer A. Jamieson	Fatri Kaba '05
Cherilyn M. Herriman	Kevin T. Hunt '05	Amy Lynn Jamison '05	Alexandria K. Kadish
Allison A. Hershinson	Jorja M. Hunt	Sean A. Janicik	Jessica L. Kain
Kate-Lynn M. Hettinger	Laura A. Hunter	Michael J. Janos	Brandon J. Kain
Danielle M. Heyd	Lauren M. Hurley	Andres R. Jaramillo	Brittany M. Kain
Timothy J. Hicks	Craig A. Hurley	Matthew R. Jaroszewski	Joshua D. Kaiser
Erin E. Hicks	Jenna C. Hurt '05	Florian Jaze '05	Kraig R. Kallmeyer '03
Lanore C. Hickson	Sobia Hussain	Aisha K. Jefferson	Constance D. Kane '05
Denise Hickson	Zoueb Hussain	Natalya D. Jemison '04	Joseph T. Kane '05
Daniel J. Higgins	Omar N. Hussain	Brian F. Jenik	Katrina L. Kane
Brian J. Hildenbrand	Sobia T. Hussain '05	Sheena M. Jensen	Kristie A. Kar
Joshua L. Hildreth '05	Andrew P. Hutchings '05	Tenea R. Jensen	Timothy P. Kar Jr.
Kathleen C. Hileman	David C. Hyatt	Stephanie A. Jerrick	Wayne A. Karabinos
Randel S. Hill	Jade C. Hylton	Anthony J. Jerussi	Francine A. Karagas
AnnMarie Hill	Erika Gwenlyn Hylton '05	Roy Jimenez '05	Athena E. Karagas
Donald R. Hill	Kevin M. Hynes	Leah S. Jimenez	Mansur Karimov
Fred Hill III	Michael A. Iaccino	Chalil M. Jimenez	David A. Karp
Cassidy S. Hines	Joanne F. Iaccino '05	Tara M. Job	Heather Elise Kashimer '05
Lisa Hinh	Elena Iakovleva '05	Nadia H. Johannes	Miltiadis Kastanis
Suzanne Hinkel	Robert Ianelli	Carl P. Johannes	Kerri Ann G. Kates
Adam C. Hinkel	Jessica L. Iannucci	Najjia I. Johnson	Nicole M. Katovich
Erin S. Hlywa	Andrea L. Iarossi	Andrew G. Johnson	Kimberly M. Kaufman '05

Alana J. Kaufman-Berson	Edward T. Kovacs	Alicia E. Laugier	Adam Michael Litcofsky '05
Mandeep Kaur	David C. Koval	Brent N. Laurelli	Nan Liu
Tracy L. Kavanah	Tiffany C. Koval	Jenna M. LaVallee	Elaine Liveli '05
Muhammad A. Kazim	Garrett J. Kowalsky '05	David A. Laviola	Heather M. Livingstone
Michael J. Kearins	John Kozlowski '05	Rachel M. Lavoie	Kia M. Lofton
Colleen E. Keefe	Ryan C. Kraehmer	Preston Law '05	Craig A. Lombardi '05
Robert J. Keeler	Amy E. Krakower	Jessica E. Lawer	Angela Rose Lombardi '05
Christopher J. Keeshan '05	Nova R. Kranker	Christopher R. Layton	Maria J. Lombardi
Kristine E. Kellas	Travis N. Kranker	William J. Lazaro	Catherine E. Lombardo
Craig A. Kelleman	Michael A. Kraus	Laura F. Leahy	Vivian A. London
Lauren A. Kelleman	Patricia E. Kreuter	Heather M. Lease	Mark R. Long
Michael R. Kelly	Jessica Elizabeth Krevolin '05	Edana F. Leavey	Angela L. Long
Kimberly A. Kelly	Phil Matthew Krizek '05	Timothy M. Leavey	Christopher T. Long
Karinna M. Kelly	Courtney M. Krom	William M. LeBlanc	Robin A. Long
Jessica M. Kennedy	Ashley M. Krom	Maddalena Lebron '05	Alfred K. Longest
Kristen M. Kenwood	Mikhail Kronik	Craig S. Lecker	Christina M. Loper
David J. Kenyon '05	Stephen G. Kruppenbacher	Lauren T. Lee	Gwen Lopez
Katrina D. Kern	Justin J. Krzeminski	Colin S. Lee	Alexandria N. Lopez '05
Melissa P. Kerrigan	Ulrike Kucharczyk '05	Tien K. Lee	Christina M. Lopez
Kelley N. Kershaw	Steven G. Kuchinsky	Junghyun Lee	Michael T. Lopez
Stephanie A. Kessler	Carolyn M. Kucsera '05	Allison E. Leed '05	Anastasia L. Lopez
Jaime L. Key	Stephanie R. Kuderna	Deborah A. Lefebvre '05	William A. Lopez
Aeman I. Khan	Lindsey M. Kuester	Allison M. Lefever '05	Steve Lorenc
Rose E. Khoury	Joel L. Kuhn	Raymond J. Lefever	Edward J. Lotz
Allyson M. Kidd	Silva A. Kultsar	Jason R. LeFevre	Erin P. Loughran
Kevin J. Kilkenny	Parveen Kumari	Michelle A. Leffert	Emma R. Low
Laura B. Killmer	Adrianna M. Kump	Lauren E. Lefferts	Heather N. Lown
James G. King	Ethan G. Kurtz	Vanessa M. Leghorn '05	Vanessa Lyn Lucas '05
Kaitlin B. King	Anthony J. Kuter '05	Daniel V. Lehman	Emily E. Luchnick
Janice E. King	Kevin Chris Kuzminski '05	Brian Scott Lehrer '05	Amanda A. Ludwig
Dan J. Kinsley	David J. Kyriazis Jr	Charles R. Lemell Jr.	Christian A. Luethi
Ann M. Kipte	Daniel J. L'Heureux	Sonia R. Lemus '05	Brittany B. Luiso
Andrew R. Kirchhofer	Maria A. LaBozzetta	Bryan D. Lent	James H. Lukacs
Daniel P. Kirchhoffer	Jenna L. Lacouette '05	Steven D. Leon '05	Alexander J. Lumb
Stephanie J. Kirker	John-Paul Lafata	Shawn William Leonard '05	Andrea G. Lumia '05
Theresa L. Kirkpatrick	Timothy P. Laffin Jr	Melissa H. Leonard	Jennifer L. Luongo
Shawn D. Kirkpatrick '05	Christopher A. LaForge	Meghen E. Leslie	Annamarie T. Luongo
Peter Kis	Jeffrey Lail	Jarrett D. Letersky	Nickolene S. Lurch
Amy M. Kistner '97	Nicholas S. Laino	Evan M. Letersky	Katrina J. Lustig
Rose M. Kistner	Stephen T. Lally	Danielle L. Letizia	Erin V. Lutz
Andrea C. Kistner	Kristen M. Lamake	Christopher A. Letterio	Matthew E. Lutz
Sabrina E. Klay '05	Patrice J. Lambert	Carmen Y. Letusick '05	Neang S. Ly
Jennifer L. Klee	Katherine A. Lambert	Ashley H. Levandoski	Karen K. Lynch
Courtney K. Klein	Dayna N. Lammers	Veronica C. Levesque	Ferrol T. Lynch
Katherine N. Klein	Laura M. Lamorgese '05	Richard H. Lewandowski	Courtney A. Lyon
Rebecca M. Klemperer	Richard A. Lande Jr	Anthony L. Lewin	Naomi A. Lyons
Jason P. Kline	Diane Landro	Danielle D. Lewinson	Natasha-Kiel R. Lyons
Robert J. Klippel	Sheryl C. Lane-McGrath	Amanda L. Lewis	Rebecca J. Lyons
Timothy Walter Kloiber '05	Brian A. Lange	Kenneth C. Lewis	Dean A. Lysenko '05
Kimberly M. Knutsen	Michael D. Langer	Kirk O. Lewis Jr	Stephanie A. Lysko
Amanda M. Kodnia	Joy M. Langva	Carolyn T. Lezon	David C. Macagnone
Justin E. Koehler	Robert W. Lankard	Suelynn Li	Alana R. MacAluso
Joseph B. Koenig '05	Dylan R. Lantry	Joseph D. Libertella	Jason M. Macchiarola
Brenden S. Kohlmaier	Tessa M. Lanzetta	Todd J. Libonati	Nicole V. Mace
Lena M. Kohlmaier	Elizabeth C. LaPlant	Joseph H. Lieberman	Rebecca L. MacEachen
Matthew V. Kolachik	Kristine M. Lapointe	Deseree L. Lievanos	Robyn P. MacEnroe
Kristin A. Kolbinski '05	William R. Lara	Michael V. Liffland	Glen Machtley II
Matthew Edmund	Linda D. Larese	Jessica D. Ligotino	John M. Macina
Kolodziejczyk '05	James S. Larkin	Kimberly E. Lillis	Quinton J. Mack
Krystina A. Komer '05	Vanessa R. LaRocca	Shu Ying M. Lin	Marc K. MacKenzie
Kenneth R. Kort	Shannon Lasher	Johana M. Linares	Anthony D. Mackey
John S. Kosek	Brandi L. Lasko '05	Theresa E. Lindemann	Roberto D. Macklin
Amy M. Kostenko	Jasmine R. Lassalle	Kathryn M. Lindenfeld	Jessica A. MacLeay
Kevin J. Kotski	Timothy V. Latimer	Jessica M. Linnell	Kimberly A. Macy
Kristin E. Kotzur	Luke B. Latimer	Jolleen A. Lisson	Brandi N. Madarish

Kieran T. Maddock	David J. Marshall	Shane P. McCormack	Diego E. Merino
Britney M. Maddock	Tanya M. Marshall	Patricia T. McCullough	Eduardo Merino
Elizabeth J. Maderi	Domenique L. Martell	Kevin A. McDonald '04	Jessica M. Merryman
Melissa G. Maderi	James M. Martin	John P. McDonald	Jenny L. Mersand
Teal N. Madorsky	Kerron D. Martin	Gerald F. McDonnell	Darian R. Messerich
Barrett G. Magistro	Matthew T. Martin	Kathryn E. McDonough	Robert T. Metz
Victoria S. Magliano	Jon D. Martin-Crawford	Thomas McDougall	Kevin T. Meyer
Corey J. Maguire	Claudia F. Martinez	Pamela C. McDowell	Matthew J. Meyer
Caitlinn A. Mahar-Daniels	Stephanie M. Martinez	Maria-Lisa McGaughey	Bryan E. Meyer '05
Daniel J. Mahoney	Marissa M. Martinez	Mary C. McGayhey	Darin O. Michail
Frank J. Mahoney	Maria A. Martinez	Sheyvonne C. McGill	John P. Michalko
Paul E. Mahunik	Heidi Martinez	Erin E. McGinn	Martin A. Michels
Jonathan M. Mahusky	David Martinez	Anthony J. McGinty	Yuri M. Mickler '05
Jesse Maietta	Anthony F. Martini	Katherine E. McGrath	Shannon M. Mickler
Bikash Mainali	Clement A. Martz	Michael J. McGrath	Carrie L. Mickler
Laura M. Maines	Frank T. Mascolo '05	Jeffrey A. McGrath	Steven K. Mihalik
Crystal D. Maisonet	Alana M. Maserjian	Matthew E. McGrath	Jacqueline I. Mika
Jacqueline Maisonet	Tamara R. Maskell	Michael A. McGuire	Jacquelyn D. Mikula
Nicole A. Makri	Graig E. Mason	Nicole M. McGuire	Kristina M. Milani
Joanna Maleszewski	Nichole J. Mason	Daniel D. McIlwee	Michelle A. Milano '05
Piotr Maleszewski	Rajeh Masoud	Brittany L. McIntyre	Joseph W. Milano
Ashley L. Malinovsky '05	William S. Masterson	Christina M. McIvor	Dominico F. Milio
Nilofer A. Mallick	Jennifer R. Mastroeni	Lisa C. McKeegan	Anthony M. Militello
Sean M. Mallory	Sony Mathew	Lateisha L. McKellar	Jennie Lee Milkovich '05
David J. Mallory II	Stephanie Matos	Hugh P. McKenna	Cindy D. Miller
Donovan K. Malloy '05	William H. Matthews	Andrew P. McKenna	Krista L. Miller
Gabriel W. Mallozzi	Jacqueline A. Maucher '05	Larry McKenney	Bonita C. Miller
Natalie A. Maloney	Jonathan D. Maulsby	Stacy V. McKenzie	Brianne L. Miller
Danielle Y. Maloney '05	Amanda Maury	Marques J. McKinney	Stephanie L. Miller
Mario A. Mancheno	Shanese L. Maxey	Joseph Ryan McLaughlin '05	Leland P. Miller '05
Todd A. Mancuso	Andrea E. Maxson	Shaun L. McLean '05	Andrew R. Miller
John S. Mandia	Katie E. Mayer	Mary Ann McLean	Diana M. Miller
Emily C. Mandia	Bethany T. Mayer	Shaun M. McLendon	Cornel C. Miller
Anna M. Mandia	Daniel R. Mayerhofer	Brendan P. McLoughlin	Paul E. Miller
Michael S. Mandy	Jonathan Mayfield	Kathleen T. McManus	Travis N. Miller
Rory M. Mann	Darrin D. Mayfield	Timothy R. McMenamin	Marcie Miller
Jessica I. Mann	Savannah N. Mayhew	James D. McMillan	Aaron M. Miller
Sean V. Manna	Katherine E. Mayo	LaKeshia N. McNair	Sara J. Miller
Darlene E. Mansour	Jacqueline C. Mayorga '05	Michael Q. McNair	Matthew F. Miller
Richard A. Mantey	Gregory A. Mazure	Brittany L. McNair	Christopher C. Miller
Patricia C. Manuel	Alexander R. Mazure	Rashad A. McPhee	Matthew J. Milles
Shane A. Manzi	Christina M. Mazzacone	Tenisha P. McPhee	Danielle F. Millman
Jennifer L. Manzo	Joel M. Mazzacone	John M. McPhee II	Michael G. Mills
Michael Mapes	Sarah M. Mazzetti	Michael McTighe '05	Kevin David Millsaps '05
Erin J. Mara '05	Jacqueline A. McAdams '98	Kerry E. McTighe	Kerri L. Milstein '05
Emma Maranon '05	Brendan T. McAllister '05	Erin R. McVeigh	Joseph T. Milyko
Kallie E. Marcell	Glenford A. McAllister	Travis J. McVeigh	Nykia M. Mima '05
Nicholas J. Marciano	Brian J. McAllister '05	Brian S. Mead	Shanna M. Minnaugh
Amanda C. Marcinelli	Diana L. McArdele '05	Kristopher M. Mead	Susan E. Minassian
Denise Michelle Marcio '05	Andrew J. McArtin	Alexandria S. Medina	Donald F. Minichino '02
Kris B. Marco	Erin Christine McAteer '05	Frances Grace Medina '05	Kathleen M. Minichino
Sashi Marella	Kelly A. McBride	Alsina R. Mei	Melinda A. Minnow
Richard J. Marin	Kyrstin E. McCabe	Jeffrey M. Meiers	Diana M. Minunni
Ashley A. Marino	Shaun R. McCaffrey	Stacey A. Meikle	Nicole A. Minutolo
Mary N. Marji	Ryan P. McCaffrey	Shawn K. Melahn	Thomas P. Mirabella
Zirka N. Markewycz	Keren F. McCaffrey	Justina D. Melendez	Joseph R. Miranda
Karen A. Markham	Lauren M. McCaffrey	Michael J. Mello	Daniel A. Mirantz
Miles A. Marnell '05	Rachel A. McCaffrey	Patrick D. Menicucci	Nathalie M. Mitard '05
Louis R. Marquis	Lottie M. McCall '05	Christina A. Menton	Nicole L. Mitchell
Jaime J. Marrero '05	Brian J. McCarthy '05	Garth P. Merandy '05	Thomasina M. Mitchell
Suzette Marrero	Josh R. McCarty	Amanda Mercado	Stephanie M. Mitchell
Jesse J. Marsh	Oneil A. McCaulsky	Michael J. Mercier	Michelle Mitchell '05
Robert W. Marshall	Julius R. McClain	Parker H. Meredith	Keith Mitchell
Heather L. Marshall '04	Joshua T. McClinton	Kimberly A. Meres	Kerry L. Mitras
Krista L. Marshall	Jenna M. Mcconnell	Justin E. Meres	Jessica L. Miuccio

Taron S. Mizell	Kimberlie A. Murphy '05	Theronda Nichols	Elisa Teresa Orton '05
Michelle E. Moccia '05	Patricia A. Murphy	David J. Nieves '05	Ryan T. Osborn
Jacqueline C. Moehrke '05	Jermey M. Murphy	Ralph R. Niggel	Shannon L. Osborne
Ann M. Moffatt	Dana C. Murphy	Frank Nigrelli	Kumiko Oshima '05
Bonnie Mojica	Sarah A. Murphy	Mark Nikac	Douglas J. Ostrander
Alisha M. Mojica	Derrick W. Murphy	Matthew T. Nilsson	Kyle J. Ostrander
Lauren G. Moldoff	Matthew M. Murphy	Lisa Niosi	Chiron Otero '04
Christian J. Molenaer	Jake M. Murray	Matthew E. Nolan	Ashley D. Ott
Kinverling Z. Molina-Saenz	Timothy Gene Murray '05	Lisa M. Nolan	Evans W. Ouma
James M. Moloney	Fiona M. Murray	Ryan T. Nolan	Adia L. Overbey
April M. Monahan	Maranda Rose Murray '05	Ainsley A. Nooks	Bashari L. Owens
Emily Monahan	Brian K. Murray	Kristen P. Norbom	Laura S. Pabst
Paul Louis Mongelli '05	Sarah H. Murray '05	Larissa J. Nordone	Adam L. Packer
Nurunnahar Moni	Shannon P. Muse	Tamoya L. Norwood	Joseph A. Padilla
Irene M. Monk	James W. Mushett	Christopher P. Noto	Anthony R. Padilla
Dennis J. Montesano	Amanda C. Musso	Elizabeth A. Novoa	Daniel A. Paez
John L. Montross	Joan E. Mustakas	Bruce J. Ntwari	Jessica F. Pagan
Suzanne M. Montross	Ian L. Myers	Sean A. Nunez '05	Stacey L. Pagan
Christina N. Monza	Nicole A. Naccarato	Michael L. Nutt	Cesar C. Pagan
Pauline Moody	Michelle A. Naccarato	Matthew J. Nuzzi	Ethan W. Page
Tyler M. Moody	Jason M. Nacimiento	James M. Nycz	Robert D. Page
Benjamin W. Moore	Jessica P. Nager	Shannon M. O'Brien	Jeffery N. Paggi
Christine C. Moore	Emily Rose Naglieri '05	Andrea R. O'Brien	John A. Pagnanella
David J. Morabito '05	Oliver A. Nanetti-Arroyo	Steven E. O'Brien	Jason R. Paige
Melissa R. Morales	Jennifer B. Nani	Maureen A. O'Connell '05	Kayla M. Paine
Nicole G. Morales	James J. Nani	Michael K. O'Connell	Kevin R. Paino
Marina Morales	Harold O. Nankoo '05	Megan M. O'Connor	Thomas A. Palermo
Rafael Morales	Carl L. Napier	Matthew T. O'Connor '05	Kristin Lynne Palinkas '05
Mark A. Moran '05	Sean E. Napper	Barbara E. O'Connor '05	Lorella Palladino
Justina M. Moran	David A. Nardi	Tara J. O'Connor	Robert J. Pallatto
Thomas Moran	Danielle L. Nardone	Valerie L. O'Dell	Christine M. Pallus
Jake J. Moran	Derek E. Nardone	Amy L. O'Donnell '05	Lauren M. Palm
Gregory D. Morehead	Krystine Nardozi	Sean P. O'Donnell	Anthony M. Palmatier
Danielle Morel	Pamela A. Nash	Michael R. O'Halloran	Diane L. Palmatier
Frederick R. Morello	Thomas A. Nastasi	Deidre R. O'Hara	Luba Palomba '05
Katherine E. Morey	Meena Natarajan '05	Michael P. O'Hare '05	Minieve G. Palomino '05
Mara C. Morgan	Kristi D. Nation	Alice T. O'Loughlin	Heena Palwala
Brian P. Morgan	Christopher M. Naumann '05	Ashley M. O'Malley	Laura E. Panay
Daniel E. Morgeneegg	Lindsey N. Navarro	Shaun R. O'Neill	Carl V. Pantaleo
Christina L. Morris	Giro R. Nazzaro Jr	Aaron D. O'Rourke	Caryl G. V.A Panzananaro '05
Emily C. Morris	Jashawn J. Neal	Nicole K. O'Shea	Daniel J. Panzer
Elizabeth Morris	Christine N. Neese	Shawn M. O'Sullivan	Michael Paolillo
Danielle Morrissey '05	Amber Marie Neilson '05	Richard S. Oakley	Carrie A. Paolillo
Amanda R. Mortensen '05	James G. Nelson	Grace O. Obee	Nicholas V. Paonessa
Ronadine N. Morton	Angela M. Nenni	Simone Obermaier '05	Ryan S. Paonessa
Mariam Moshref	Dena K. Nesheiwat	Jon Obrizok	Brian Anthony Paonessa '05
Brandon S. Motard	Sana Nesheiwat	Jaime L. Occhicone	Jason D. Paonessa
Smita V. Motielall	Hoyida F. Nesheiwat '05	Jerome A. Octive	Emanuel M. Papadakis
J. Vickie Motolinia	Raied M. Nesheiwat	Jeromaine C. Octive	Gizella S. Papanicolaou
Celine S. Mouchon '05	Alla M. Nesheiwat	Christopher A. Ofca	Elizabeth V. Paradise
Rebecca A. Moysey	Danielle Marie Netti '05	Joshua D. Ogle	Nicholas James Paraszti '05
Ikram Mrani	Sanjeev K. Neupane	Jessica E. Oitice	Jamielee D. Parchment
Anthony R. Mucci	Maura M. Neville	Evelyn Ojeda-Cardona	Daniel G. Paredes
Vincent C. Muccioli '05	Ryan C. Neville	Priscilla Aduago Okororie '05	Stephanie L. Parent
Brandon T. Mueller	Ashley D. Nevins	Jimmy C. Olang	Amanda L. Parent
Krista C. Muhlbauer	Jesse W. Newell	James C. Oldenborg	Tara M. Parise
Kimberly R. Muhlbauer	Bobby R. Newkirk	Jennelle M. Olker	Christen L. Parise
Mikael D. Mulhall '05	Anika T. Newman	Francesca Olsen	Laura N. Parise
Lori E. Mullaly '05	Victoria M. Newman	Brittany R. Olsen	Katrin Parker
Jeffery M. Muller	Sara E. Newman	Lincy Oommen	Denisha T. Parker
Amanda L. Mund	Eileen R. Newman '05	Melissa A. Oreglio	Robert B. Parker
Nicholas E. Munning '05	Jeffrey B. Newsome	Brian E. Orr	Carrie F. Parker
Michael Munoz	Seng L. Ngo	Justin K. Orth	D'Shaun M. Parker
Brian B. Murnane	Ashley K. Nichols	Amanda E. Ortiz	Ronald E. Parkinson '05
Daniel S. Murphy	Winfield D. Nichols	Aura L. Ortiz	Casey L. Parks '05

Macashin M. Parr	Sean M. Phillips	Tiffany C. Pursino	Jessica L. Richard
Tracie L. Parrella	Nicole R. Phillips	James T. Putland	Gavin C. Richards
Matthew D. Parrella	Pharichad Phuaree '05	Meryana I. Qaqish	Kyle M. Richardson
Shannon M. Parrish '05	Nicholas B. Piccone	Syed A. Quadri	Marques C. Richardson
Heather J. Parsons	Daniel J. Pickett	Syeda S. Quadri	James R. Rickard
Stacey A. Parthemore	Andrew G. Pidanic	Joshua Queen	Dee J. Rider
Breanna C. Passante	David R. Piersall '05	Jeremy R. Quetglas	Amanda L. Rider
Lauren D. Passante	Jacquelyn M. Pietrobono	Anessa P. Quick	Meghan B. Riedinger
Andrew N. Pastrikos	Heather N. Pietrobono	Stephanie M. Quiles	Jennifer A. Riglioni
Shyam Y. Patel	Jared J. Pillitteri	Katie Quinn	Deanna M. Riley
Jennifer L. Patino	Laura K. Pilon	Analise Quintero	Lisa M. Rinehart
Matthew E. Patrick	Jorge L. Pineda	Sarah R. Radcliffe	Matthew L. Riner
Kerri A. Paul	Derek V. Pinelli	Nicole C. Raffaele	Julia N. Ring
Elaine M. Paustian	Natli R. Pinnock	Stephanie L. Ragonese	Lee A. Rios
Katedra C. Payne	Toyia R. Pinnock	Amanda N. Ragosino	Jannette Rivera '05
James F. Pearce	Sarah P. Piper	Michael A. Raguso	Tiela L. Rivera '05
Claire E. Pearson	Michelle L. Pires	Bhupinder S. Rai	Elizabeth R. Rivera
Brian M. Pecchia	Matthew F. Piro	Aubrey R. Raimondi	Elizabeth C. Rivera
Anthony L. Pecchia	Christopher S. Pisano	Darshana P. Rajareddy	Seth A. Rivers
Richard M. Peck	Jaclyn S. Piscitelli	Adelso S. Ramirez	Kimaya S. Roach
Nicole A. Pedota	Kristal Z. Pitera	Daniel D. Ramirez	Jenna M. Roach
Aaron C. Pegg	Tamika L. Pittman	James I. Ramos	Kristine L. Roach
Christina M. Pelech	Julia K. Piwinski	Rob Ramsoondar	Jeremy Robert
Benjamin D. Pell	John Bartel Place '05	Ashley L. Ranieri	Jason L. Roberts
Amanda C. Peluse	Megan C. Platt	James T. Rapoli Jr	Matthew M. Roberts
Kemuel Pena	Kenneth J. Plavchan	Matthew J. Rappa	Anthony M. Roberts
Richard D. Pence Jr '05	Ismael M. Plaza	Megan E. Ratchford	Sherrod D. Robertson
Matthew R. Pendleton	William A. Plaza	Leanne Rathjen	Stephen C. Robie
Kristie L. Pendzuk	Gina Marie Plaza '05	Christa M. Rawald	Brianne E. Robinson
Daniel V. Peneyra	Jesse A. Podeszedlik	Anthony R. Ray	Julie E. Robinson
Rachel L. Penny	Dina M. Poet	Christine A. Raymo	Cadence M. Robinson '02
Dustin K. Peone	Mark G. Poet	Lisa M. Raymond	Amanda L. Robinson '05
Hector L. Perez	Amanda A. Poggiogalle	Patrick A. Raymond '05	Nicole A. Robinson
Maria F. Perez	Kimberly A. Pohlchuk	Joseph Razak	Karla A. Robinson
Jonathan M. Perez	Michelle C. Polchlopek	Johnpatrick M. Reavey	Alfred W. Robinson
Jessica Perez	Adrienne-Marie Pollack	Cathleen Elaine Reddy '05	Katherine J. Robles
Meghan A. Perkins	Adam Polletta	Kevin G. Redner	Elizabeth Robles '05
Colin A. Perkins	Brett E. Polumbo	David A. Reeck	Erin E. Roca
Sajai S. Perkins	Yvonne M. Poluzzi	Keith J. Reed	Patrick J. Roche
E Keith Perkins III	Thomas James Pontez '05	Michael Reeder	Adam P. Roche
Nancy A. Perretta	Joseph C. Pool	Joel A. Reeves	Brandin A. Rochman
Andrew P. Perrotta	David H. Popieluszk	Chaneen J. Reeves	Justin M. Rockafellow
Rachael J. Perry	Timothy J. Porco	David J. Reigada	Heather A. Rockefeller '05
Nicole L. Perry	Arlette M. Porpiglia	Maryann M. Reilly	Melissa M. Rodak
William H. Perry Jr '05	Joseph P. Porpiglia III	Kristin G. Reiner	Donielle Roden
Sean A. Persaud	Lee S. Porter '05	Barbara Reiner	Linda R. Rodriguez
Sylvia Pesaturo	Lyndsey N. Posner '05	David L. Reis	Antonio R. Rodriguez
Joselyn M. Pesavento	Rachel A. Posner	Matt L. Reis	Stacey L. Rodriguez
Toni-Anne M. Peterkin	William P. Pottenburgh	Allison A. Reitano	Justinne A. Rodriguez
Rose Peters	Ronald I. Potter	Lisa K. Reitbauer	Elise A. Rodriguez
Mary J. Peters	Zachary C. Potter '05	Douglas W. Relyea	Ana C. Rodriguez
Diana L. Petersen '05	Andrew C. Poulson '05	Kelly A. Relyea	Alejandro M. Rodriguez
Kristin R. Peterson	Tara M. Powell	Stacey M. RENNIA	Jorge I. Rodriguez
Vincent P. Petrella	Dale M. Powell	Raija J. Resto	Jenilee E. Rodriguez
Maddalena M. Petrillo	Ken Y. Powers	John R. Reta	Anthony Rodriguez Jr
Maria Theresa Petrillo '05	Lauren A. Prezzano '04	Vanessa N. Retcho	Deandra Rodriguez
Nicholas P. Petruzzo	Sarah M. Price	Heber Hadid Revilla '05	Oliver R. Roe
Mark Petrosino	Jamie L. Provost '05	Donna A. Reyer '05	Elizabeth M. Rogers
Renee Petrucelli	Kevin A. Prue	Gerardo Reyes	Rachel M. Rohr
Peter M. Petruski '05	Lauria K. Pryce '05	Jessica L. Reynolds	Joseph Roldan
Courtney F. Petti	Robert W. Pucher	Beverly P. Rhamdas '04	Samuel V. Rolon
Windy M. Phelan '00	Brian Joseph Puetz '05	Alicia V. Rhodd	Philip V. Roman
Malika S. Phillip	Josephine Maria Puglisi '05	Stephen J. Ricci	Jillian B. Romano
Keith G. Phillips '05	Aaron P. Pulicano	Diana M. Rice	Jessica M. Romeo
Sean C. Phillips	Morgan B. Pulver	Dustin P. Richard	Nelson Romero

Sean R. Rosa	Amanda G. Sands	Akeem J. Scott	Jennifer M. Sichenzia
Betsy Rosado '05	Amanda M. SanFilippo	Benjamin R. Scott	Heather M. Siddle
Maria D. Rosati	Raymond G. Sanseverino	Michael J. Scott	Patrick T. Sidote
Michele C. Rose	Stephen A. Sansoni	Shannon S. Scott	Marie R. Sieloff
Sabrina M. Rose	Jajaira Santana	Aaron P. Scott	Paul H. Sienkiewicz
Ian F. Rose	Stephanie E. Santangelo	Owen K. Scott	Kristen T. Sikora
Callye A. Rose	John M. Santiago	Tracy M. Scott '05	Mark D. Silano
Robert D. Roseberry	Orlando J. Santiago	Casey M. Scott	Stacy A. Siler
Michael J. Rosenberry '05	Raymond J. Santiago	Erin J. Scott	Michael R. Silva
Stephanie A. Rosenthal	Gloria E. Santiago '05	Stephanie M. Scotto	Stephanie A. Silvestri
Nicole L. Rossi	Caroline A. Santillan	Christopher R. Scoville	Dina M. Silvestri '05
Carley A. Rothaupt	Victoria A. Santise	Andrew C. Scrobe	Devalera H. Sim
Jeff R. Rothkirch	William L. Santoro	Bart M. Scudieri	Mikhaila M. Simeon '05
Ronald M. Rothkranz III	Amanda M. Santos '05	Brian S. Seacord	Joseph W. Simeone
Patrick M. Rougeux	Christopher W. Santos	Holly N. Seaman	Andrew Timothy Simko '05
Shawna M. Rowland	Deana M. Santosky	William J. Seay	Daniel E. Simmons
Nancy E. Roy '05	Suzanne L. Sarafian	Cody M. Secor	Jessica E. Simmons
Melissa J. Roy	John S. Sardo '05	Jessica L. Secreto '05	LaShauna Simmons
Catherine M. Rozmus	Ryan R. Sartori	Jayne L. See	Geoffrey T. Simon
Dina M. Rubero	Melissa S. Sartori	Jessica A See '05	Matthew P. Simon
Adam S. Rubin	Courtney E. Sarvis	Lysette R. Seedorf	Steven D. Simons
Jessica M. Ruckdeschel '05	Mario E. Sausto	Daniel H. Seeley	Tasia N. Simpkins
Trisha M. Rudemyer	Dennis M. Savage	Brian G. Sefcik	Laura K. Simpson
Elizabeth Rudovic '05	Whitney C. Savago	Kim Lynn Segal '05	Amanda R. Simpson
James E. Ruffell Jr.	Matthew P. Savago	Alena M. Segarra	Ryan J. Simpson
Kimberly L. Rugar-Noonan	Jonathan F. Saweikis	Christopher M. Segelken	Andrew M. Sinclair
Christopher V. Ruhe '05	Ann E. Saxe	Corinne N. Seibert	Angela C. Sindone
Kevin E. Ruhle	Christopher D. Saya	Jacqueline D. Seidel '75	Trina R. Singleton '05
Manuel J. Ruiz	Barbara M. Sbraccia	Danielle M. Seiferheld	Lisa M. Siniscalchi
Jonathan T. Ruiz	Benedetto Scaffidi-Fonti	Daniel C. Seifert	Kimberly M. Skeen
Steven D. Runberg	Candace M. Scalia	Maria Selca '05	William Skiff
Nicholas J. Rusch	Dominique S. Scarlet	Ana Selca	Joseph M. Skipp '05
Brandon D. Russell	Sara L. Scarpelli	Lindsey N. Sellitto	Shaina E. Skopin
Nicole Lynn Russell '05	Mark D. Schaefer	Irene Semertzides	Shayne D. Slade
Kaitlin A. Russell	Drew L. Schelker	Claude A. Semexant	Scott J. Slagsvol
Ryan D. Russell '05	Craig K. Schenkemeyer '05	Nicholas J. Sena	Jacob L. Slate
Christina M. Russell	Nicole A. Schettino	Christina Sequinot	Brandon S. Slinsky
Valencia S. Russell	Cristofer J. Schiavone	Cindy M. Serrano '05	Kristie M. Slinsky
Nicholas A. Russo	Sarah H. Schindel '05	Alexia F. Serrano '05	Shannon M. Sliowski
Vincenzo B. Russo	Bryan A. Schlam	BethAnn Serwatka	Benjamin M. Sloat
Nicholas J. Russo	Cody Schlange	Tara Seufert	Adam J. Slomin
Michelle K. Russo	Chrystal Eileen Schluter '05	Stephanie M. Sewalk	Timothy S. Smajda
Michele R. Rutyna	Kathryn M. Schmand	Jessica L. Sgaggero	Melissa C. Small
Joseph L. Rutz	Kristen A. Schmeelk	Kathryn M. Sgroi	Brian C. Smallhorn
Michael J. Ryan	Alison L. Schmidt	Savannah M. Shafran	Phiona N. Smart
Loran A. Ryan	Marie E. Schmidt	Jessica E. Shaloiko '05	Alexander R. Smith
Robert F. Ryan	Michael J. Schmitt Jr.	Muhammad I. Shamsiddeen	Jillian E. Smith
Jason R. Ryan	Jonathan E. Schneider	Caitlin A. Sharp	Adam R. Smith '04
Lydia R. Rzucidlo	Jesse J. Schoenfeld	Eric M. Shaw	Theresa E. Smith '05
Yusuf H. Saafir	Jordan R. Schoonmaker	Mallory A. Shea	Rebecca P. Smith
Nicholas J. Sabbagh	Michael R. Schroeder '05	Brendan M. Sheehan	Opal S. Smith
Jolee V. Sabella	Alyssa J. Schroeter	Colleen T. Sheehan '05	Monique A. Smith
Liam T. Sabini	Kristen A. Schuck	Patrick M. Sheehan	Jason A. Smith
Tanya I. Safran '05	Stephen J. Schuhay	Sean F. Sheeran	Katherine E. Smith
Christopher M. Saglibene	Mark A. Schulerbrandt	Jenny M. Sherblom	Brian C. Smith
Holly M. Saglibene	Jason T. Schulerbrandt	John M. Sheridan	Virginia L. Smith
Hassan Mohamed Said '05	Janet J. Schulze '04	Nicholas M. Sherman	Amanda N. Smith '05
Lindsay A. Salerno	Christina Schurr	Heather M. Sherman	Ryan B. Smith
Joshua J. Sall	Kelli L. Schwarze	Michael A. Sherwood	Kayla M. Smith '05
Christopher T. Salmon	Christine C. Schween	Dana Ann Sherwood '05	Shannon Joette Smith '05
Justin C. Salomone	Valerie S. Schwind	Jacob V. Shields	Jackie Smith
Carrie G. Sammarco	Megan M. Scianna	Daniel R. Shortt	Laura M. Smith
Ezra San Millan	Lauren M. Scibelli	Maxwell Q. Shron	Brian M. Smith '05
Christopher J. Sanchez	Sarah M. Scott	Yevgeniy A. Shvarts	Mathew Louis Smith '05
Jonathan F. Sanchez	Marlene B. Scott	Stacy N. Siano	Ryan D. Smith

Richard J. Smith Jr	Adam Stoutenburgh	Tamara T. Taylor	Brian J. Travis
Desiree K. Snead	Perpetua N. Straka	Tina L. Taylor	Leanne N. Treadwell
Darby A. Sneyd '05	Taryn E. Straley	Ebonee D. Taylor	Ashley L. Treadwell
Matthew D. Snyder	Giovanna S. Strano	Ben L. Taylor	Kevin J. Tremarzo
Timothy M. Snyder	Bridgit A. Stratton '05	Scott A. Teck	Courtney H. Tremarzo
Margaret A. Snyder '05	James T. Streitman	Maria Michele Teck '05	Christopher W. Tresnan
Meghan M. Solazzo	Eric R. Stroud '05	Michael V. Tedeschi	Nam Q. Trinh
Paul A. Soley	Douglas A. Stuart	Eric G. Teller	Michael A. Trinkle
Daniel W. Sommerville	Anthony W. Stuetzle	Heather Eileen Temple '05	Kevin M. Tripp
Kristen E. Sorce	John Stufano '05	Sara A. Tenney	Thomas W. Troske
James E. Sorrell	Travis J. Stump	Nicholas J. Terilli	Julie M. Troy
Gae Kristin Sorrentino '05	Amanda C. Sturgess	Matthew M. Terwillegar	Robert M. Truet Jr '05
Shannon B. Sosa	Christopher F. Sturm	Frank Terzigni	Christina Marie Trujillo '05
Anna K. Soto	Rory M. Stutzbach	Catherine E. Tesoriero	Lauren N. Truss
Felipe A. Soto	Jamie L. Stutzman	Jonathan Tetteh	Tony Tse
Deanna L. Soto	Cam T. Su '05	Rebecca W. Teubl	Jesse R. Tucker
Vanessa J. Sotomayor '05	Faul T. Su '05	Shane I. Tevnan	Joshua D. Tucker
Steven J. Spadafora	Stephanie Suarez	Bibek S. Thapa	Patrick G. Tully
Michael W. Spagnola	George Suarez	Mark C. Theiss '05	Amanda Tumbarello '05
Joseph K. Spano	Erika C. Suarez	Lisa A. Theriault	Donald J. Turner
Anthony M. Spano	Lindsay M. Suchow	Timothy C. Thistleton	Erica M. Turner
Sophia M. Spatola '05	Tabbatha R. Sugrue	Patricia N. Thomas	Stephanie A. Turner
Corey T. Spears	Leszek Sulewski	Cassandra Anne Thomas '05	Heather A. Tuttle '05
Jeannie L. Spencer	Carl J. Sullivan	Jason W. Thomas	Y Ty
Jesse T. Spencer	Robert A. Sullivan	Natalie J. Thomas	Sin Ty
Ian P. Spera	Patricia A. Sullivan	Rahjier H. Thomas	Michael Anthony Tyburski '05
Matthew A. Spiro	Adam Wiryanto Sumitro '05	Elizabeth Z. Thomas-Padgett	Heather L. Tyler
Ashley E. Sprout '05	Rachel C. Summers	Taylor N. Thompson	Daniel Thomas Urciuoli '05
Christopher S. Squier	Christopher J. Suraci '05	Diane C. Thompson	Angela S. Urena
Caronn D. Squire	Katie R. Surdam	Julia A. Thompson '05	Kenneth R. Usewicz
Lauren E. Squires	Margaret Svarplaitis-Austin '05	Diana Thompson '05	Christopher J. Usifer
Quiana N. St-Ange	Keith R. Swart	Jessica M. Thompson	Justin L. Uskans
Sheila C. St. Croix	Justin M. Sweatland	David D. Thompson	Gina Vaccarino
Robert A. Staffiero '05	Christopher J. Sweeney	Sean N. Thompson	Ciara L. Vaden
Peter Staiano	Lauren Claire Sweeney '05	Dana L. Thompson	Nathaniel A. Vail '05
Michael R. Stalker	Jennifer L. Swenson	Martin J. Thorpe	Steven J. Vail
Bradley R. Stanbary '05	Catherine M. Swift	Candice M. Thumser '05	Steven J. Valen
Brad M. Stans	Phillip Sylla	Kristen J. Tierney	Nancy E. Valencia '05
Melissa A. Stansmore	Tammy M. Szelowski	Melissa A. Timmons '05	Brittney R. Valencia '05
Michael J. Starace	Rebecca J. Szumada	James B. Tindall	Michelle A. Valenti
Cameron D. Steer	Christopher J. Tagliaferro	Stephanie P. Titka	Antonia E. Valentine '05
Nicole J. Steffanci	Farook W. Taha	Jessica M. Toma	Kara A. Valentino
Lauren P. Stein	Omar B. Taha	Brittany J. Toman	Melissa M. Valentino '05
Calandra J. Stein	Sasha D. Taliaferro	Tina M. Tomlins	Nicole C. Valeri
Jillian R. Stenger	Christopher A. Taliaferro	Meaghan K. Tompkins	Daniel C. Valis
Sarane M. Stephens	Michael J. Tamboia	Daniel S. Tompkins	Katrina M. Van Tassell
Alexis B. Sterry	John M. Tamburrino	Christopher H. Tompkins	Honora A. VanAmburgh
Marisa A. Stevens	Jacquelyn Alicia Tammaro '05	Kristin Elizabeth Tompkins '05	Scott E. Vancil
John M. Stevensky	Jennifer M. Tamney	Dawnmarie A. Tompkins	Charlie S. VanDeBogart
Marissa L. Stevenson '05	Julia E. Tanner	Curtis J. Tompkins	Devin A. Vandekar
Stephanie E. Stewart	Rosa P. Tanquina	Donna M. Tompkins	Natasha Vangor '05
Sonia Lynn Stickles '05	Daniel M. Tanzillo	Irina A. Torres	Christopher R. VanLeuven '05
Michelle M. Stillson	Nicholas E. Tapalansky	Richard L. Torres '05	Andrea L. VanSwearingen
Melissa M. Stillson	Heather M. Taranto	Salvador Torres-Barro '05	John R. VanTassel
Thomas F. Stimpson '05	Robert M. Taranto	Lesley A. Toth	Amy Elizabeth VanTassel '05
Eric W. Stimpson '05	Naheed Tariq '05	Heather M. Toth	Daniel A. Vanturini
Dwajuana A. Stokes	Kerry J. Tartell '05	Natasha L. Touhey	Aaron S. VanWagenen
Kyle S. Stokes	James D. Tartter	Victoria L. Townsend	Ryan J. VanWagner
Amy L. Stoneberger	Lisa D. Tavares '94	Tyler M. Townsend	Matthew T. VanWagner
Jennifer M. Stortecky	Timothy G. Tavares	Jennifer K. Traditi	Nicole A. Vanzo
Shakiba M. Storts	Michael N. Tawfik	Joseph C. Trainor	Yazmin M. Vargas
Damien N. Storzieri	Brandy M. Taylor	Lauren K. Trama	Dana L. Vario
Nicholas P. Stoughton	LaStarra Latoia Taylor '05	Thiet K. Tran	Cristobal Vazquez
Jessica L. Stout	Zakimec D. Taylor	Sarah B. Traudt	Edwin Vazquez
David J. Stout '05	Blake S. Taylor	Amber L. Travers	Angelica M. Vega

John N. Vega	Elizabeth M Wardell '05	Kamika Sherise Williams '05	Jonathan Ynoa
Steven M. Vega	Danielle A. Warner	Hubert D. Williams	Walter L. Yohe
Melissa Vega	Meghan M. Warner	Kenneth G. Williams	Ricardo A. Yolas
Jenna A. Vega	Joseph M. Warren	Latoya D. Williams	Kelly M. Youmans
Jamie L. Velasco	Jonathan H. Warren Jr.	Krystle R. Williams '05	Chad E. Young '05
Jordan A. Velazquez '04	Ashley Washington	Garfield M. Williams '05	Allen Lup-kun Yu '04
Joseph J. Velletri	Andrea U. Washington	John L. Williams	Alessandra Zacek
Francis T. Venezia	Robert Wasilewicz	Kenneth G. Williams	Rebecca Zahurak
Ashley A. Venier	Karolina D. Wasilewicz	Christine R. Williams	Amanda C. Zaicek
Anthony Philip Verano '05	Joseph Wasilewski	Dana Anne Williams '05	Kelly Lynn Zajkowski '05
Christa M. Verano	Ann M. Wassmann	Tashon M. Williamson '05	Alexander J. Zambito
Samantha J. Verdichizzi	Dorcas R. Watkins	Nicole M. Willis '05	Lisa M. Zammiglio '05
Caitlin D. Verhave	Shaun M. Watson	Danielle L. Willwerth	Francis T. Zangle
Jorrell J. Versace	Jasmin N. Watson-Delgado	Holly A. Wilson	Michael K. Zanin
Janine M. Vesey	Amy A. Watters	Heather M. Wilson	Eric S. Zegle
Cody J. Vetter '05	Brittany M. Watzka '04	Patrice N. Wilson	Brian S. Zeidan
Amy L. Viani	Stephanie M. Way	Earle J. Wilson	Michael A. Zeoli
Nicolette C. Viano	Kelli A. Weber '05	Alice P. Wilson	Elizabeth M. Zeyher
Brian J. Vigliotti	Robynn A. Weidler	Terrence Wilson	Peter A. Ziemins
Codie L. Vileno	Anna C. Weil	Bryan L. Wilson	Jennifer Zies-Way '05
Claudia G. Villa	Laura C. Weinel	Kevin M. Wilson	Breven J. Zimmerman
Laurena J. Villa	Christopher M. Weiner	Emily L. Wincombe	Walter J. Zitz
Alicia A. Vincent	Christine Weisblatt	Peter A. Windheim	Samantha M. Zitzelsberger
Eric W. Vincent	Tyler C. Weiss	Christa D. Winklharrer	William A. Zizzo '05
Nicole M. Vinson	Donella M. Welch	Florence Winklharrer	Bryan D. Zobre
Anne E. Viola	Christine T. Wellington	Susan Winters	Dana M. Zoccoli '05
Joseph J. Virgilio '05	Thomas Wellington	Kyle R. Wisniewski	Jennifer A. Zolchak
Justin M. Vitacco	Ian J. Wells	Jason P. Wohlfahrt	Michael L. Zolnik
Eleonora S. Vitolo	Samantha Welsh	Richard A. Wohlmutth '05	Scott W. Zolotas
Kamby N. Vladick	Jessica J. Wendolski	Thaddeus J. Wolfe	Catherine A. Zopf
Amanda A. Vogel	Marissa A. Wenner	Rebecca M. Wolfe	Kirsten E. Zubini
Carmelina Volino	Mark A. Wesley '05	Lindsay N. Wolff	
Jillian A. Volpe	Melody E. West	Shannnon E. Wolven	
Carmine M. Vona	Christal P. West	Ryan E. Wonderly	
Paul E. VonRichthofen '05	Amanda R. West	Alan L. Wong	
Lisa M. Vosburgh '05	Candice J. West	Lisa Michele Wood '02	
Eric J. Voyers	Douglas Westervelt	Kennisha L. Wood	
Crystal Vuole '05	Jennifer M. Weyant	Melissa A. Wood	
Michael T. Wacker	Chelsea E. Whalen	Janelle D. Wood	
Diya Wadhwa '05	Beth A. Whalen	Danielle L. Wood	
Priya V Wagle '05	David J. Whalen	Charis E. Wood	
Douglas S. Wagner	Corey D. Whalen	Jeffrey L. Wood	
Christine M. Wagner	Jennifer K. Whitbeck	Mary F. Woodhouse	
Ashley N. Wagner	Michael J. White	Daniel T. Woods	
Nicholas B. Waldow	Burt E. White	Evan Nicholas Woodward '05	
Melissa A. Waldron	Ronnisha D. White	Marcia E. Woolcock-Sydnor '04	
Laura S. Waldron	Dana H. White	Alyse M. Worthy	
Alyssa L. Waldron	Basil L. White II	Jeffrey Wowaka	
Jeanette A. Wall	Nathaniel White III	Peter N. Wright	
Andrew R. Wall	Walter E. White III	Elizabeth R. Wright '05	
Sarah Bethany Wallace '05	Christopher H. Whitney	Kristina L. Wylie	
Michelle A. Wallace	Sandra Whitney-Conde	Marc T. Wynne	
Nelson A. Wallace	Marlena E. Whitson	Patrice M. Yaeger '05	
Barbra M. Waller	Stephanie E. Wiegand	Brian M. Yaeger	
Ross K. Wally	Daniel T. Wilcox	Jing Yang	
Kyle M. Walsh	Benjamin M. Wild	Jing Yang '05	
Brian M. Walsh	Carla R. Wilder	Christina R. Yates	
Matthew J. Walsh	Maureen E. Wilk '05	Alpha A. Yee	
Christopher R. Walton	Brandon D. Wilkerson	Nina M. Yeh	
Semu S. Walusimbi	Jesse B. Williams	Nicholas R. Yereance	
Robert A. Wandell	Aimee E. Williams		
Kate E. Wanzer '05	Jaime A. Williams		
Erika L. Wanzer	Christopher N Williams '05		
Gina E. Ward	Ryan M. Williams		
Danielle M. Ward	Lakeysha M. Williams		

Alone we can do so little; together we can do so much.

Helen Keller

A special thank you to some of the 'behind the scenes' people who are so vital to our success. We couldn't do it without you!

- | | |
|--------------------|----------------------|
| Bill Angevine | William Houghtaling |
| Jeff Becker | Everest Jones |
| John Biedinger | Allison Kaase |
| John Bohlmann | Norm Kreuger |
| Gladys Boone | Don McKay |
| Jason Brainard | Ron McKeon |
| Anna Carbone | Mary Ellen O'Donnell |
| Cathy Duncan | Thomas Randall |
| Doris Geigel | Leslie Riley |
| Alexander Harrison | Rose Sorci |
| James Helion | Wayne Whiting |



Are you willing to help

enrich the lives of future generations?
Would you like to help provide the means for expanding young minds? **You can.** When you include Dutchess Community College Foundation as a beneficiary in your will, you help to secure the future for generations of students to come. You can even specify how you wish your gift to be used.

A will lets you plan for the future so you can meet the needs of your spouse, children and grandchildren; achieve future goals of your favorite charitable organization; and take full advantage of estate tax savings available to you.

If you have included Dutchess Community College Foundation as a beneficiary in your will, please tell us. If you want to include us, we can show you how.

For more information, please contact:

DUTCHESS
COMMUNITY COLLEGE
FOUNDATION
53 Pendell Road
Poughkeepsie, NY 12601

FOUNDATION DONORS

BALANCE SHEET - AUGUST 31, 2005

ASSETS	General Unrestricted	Restricted	Endowment	Quasi- Endowment	Total All Funds
Cash	-	62,790	59,956		122,746
Receivables	13,740	177,526	287,755	-	479,021
Investments	11,199	1,786,499	1,315,293	177,880	3,290,870
Other Assets	18,156	-	-	-	18,156
Net Prop. & Equipment	-	-	-	-	-
Total Assets	\$43,095	\$2,026,815	\$1,663,047	\$177,880	\$3,910,794

LIABILITIES AND FUND BALANCES

Other Liabilities					
Accrued Expenses	17,746	6,542	-	-	24,288
Deferred Incomes	18,635	-	-	-	18,635
Fund Balances	6,714	2,020,273	1,663,004	177,880	3,867,871
Total Liabilities & Fund Balances	(\$202,688)	\$2,834,896	\$1,663,004	\$177,880	\$3,910,794

STATEMENT OF SUPPORT, REVENUE, EXPENSES AND CHANGES IN FUND BALANCES

YEAR ENDED AUGUST 31, 2005

	General Unrestricted	Restricted	Endowment	Quasi- Endowment	Total All Funds
Support and Revenue					
Market Gains (Loss)		258,206			258,206
Contributions	732,043	94,968	271,729		1,098,740
Interest Income	50,276				50,276
Total Support and Revenue	\$782,319	\$353,174	\$271,729	\$ -	\$1,407,222

Expenses

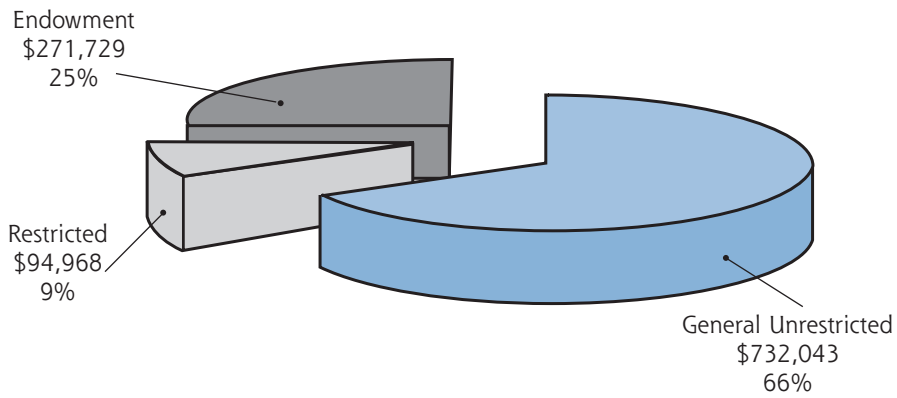
Program Services					
Educational Grants	264,664				264,664
Equipment Grants	135,786				135,786
Supporting Services					
Management & General	272,323				272,323
Fund Raising	238,111				238,111
Total Expenses	\$800,727	\$ -	\$ -	\$ -	\$946,263

Excess of Support and Revenue Over Expenses	(163,944)	353,174	271,729	-	460,959
Fund Balances 9/1/04	358,744	1,550,554	1,335,158	162,456	3,406,912
Fund Balances 8/31/05	\$194,800	\$1,903,728	\$1,606,887	\$162,456	\$3,867,871

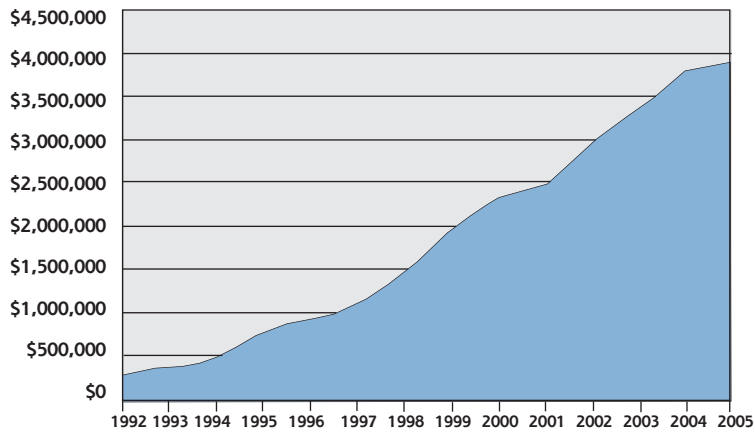
Donate online at <http://makeagift.sunydutchess.edu>

WHERE OUR MONEY GOES

Contributions Raised



Growth of Fund Balances



Is there anything yo'd like to put on
the last page?

DUTCHESS
COMMUNITY COLLEGE
FOUNDATION